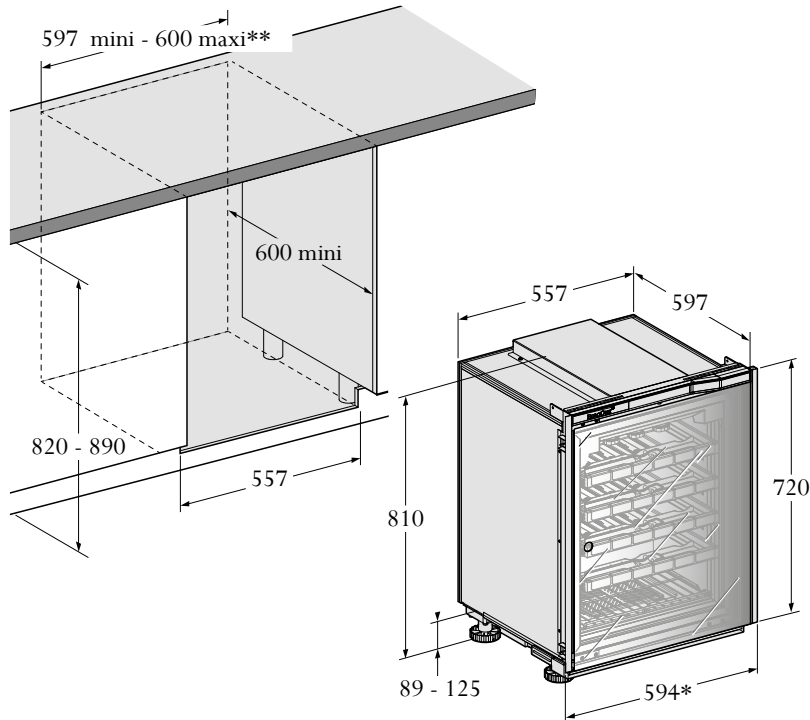


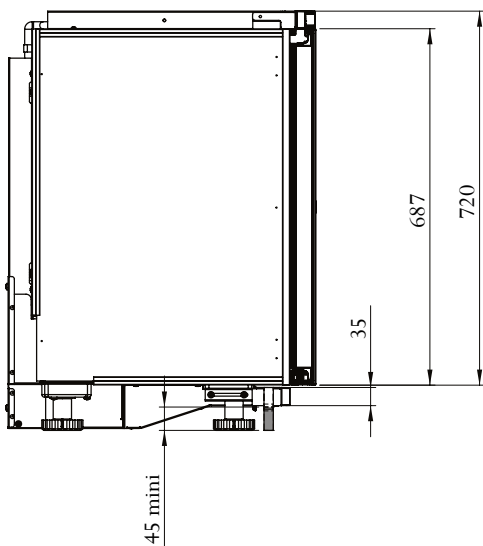
S size Ref. V-INSP-S / S-INSP-S

"Built-in" version

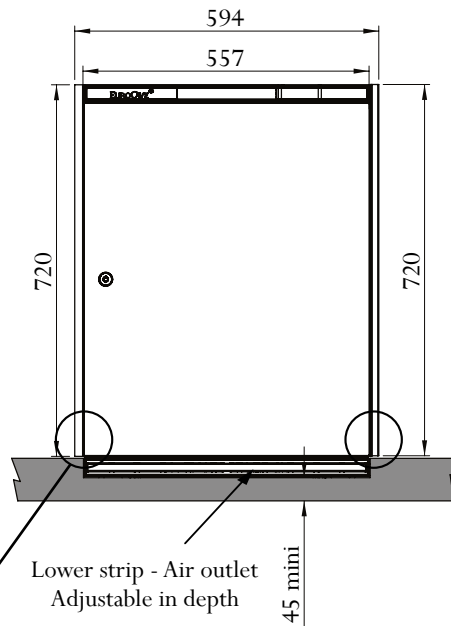
Built-in between 2 furnitures. Installed on the floor.
Full Glass door.



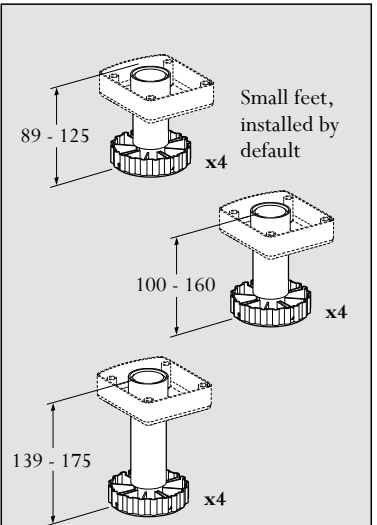
Side view



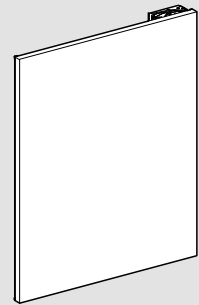
Front view



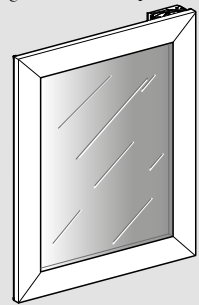
Fillers to be cutted.
Refer to the quickstart
or the IFU.



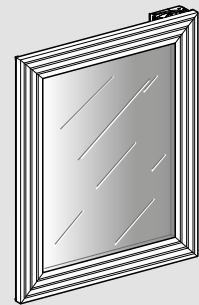
3 heights of feet,
delivered with the wine cabinet



Technical solid door
(thickness of the decor panel = 20mm max.
weight of the decor panel: 12Kg)



Stainless steel glass door



Technical glass door
(thickness of the decor panel = 20mm max.
weight of the decor panel: 12Kg)

* with fillers.

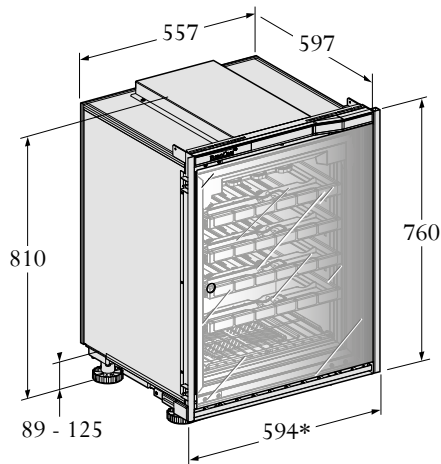
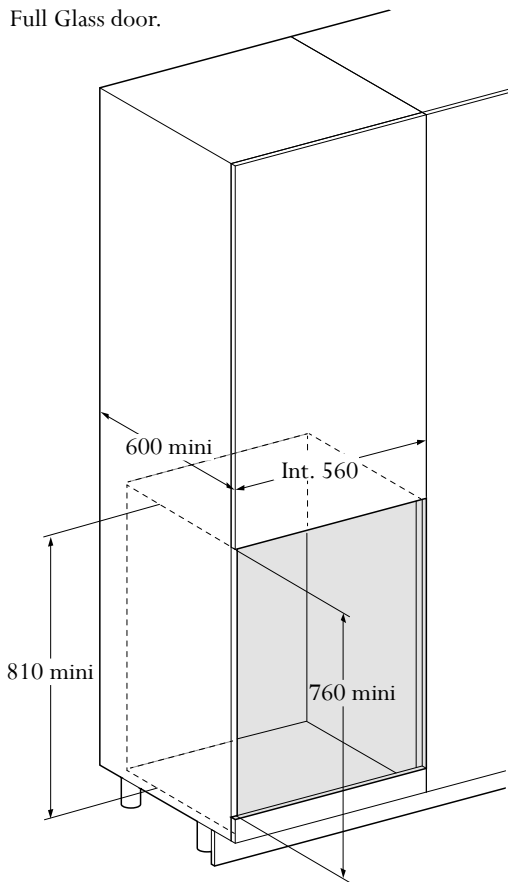
**Depending on the tolerances of the different elements (body, fillers, furniture).

S size Ref.V-INSP-S / S-INSP-S

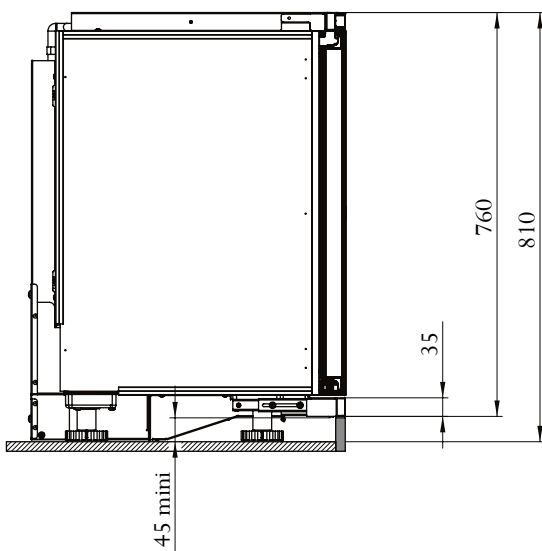
"Flush-fitted" version

Fitted in a kitchen furniture.

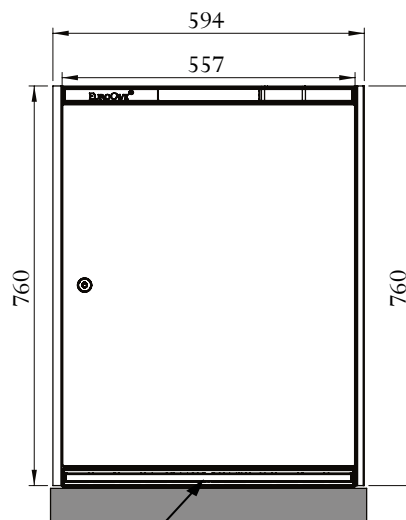
Full Glass door.



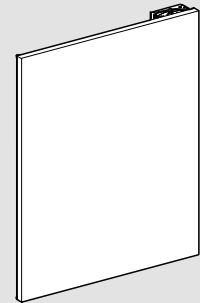
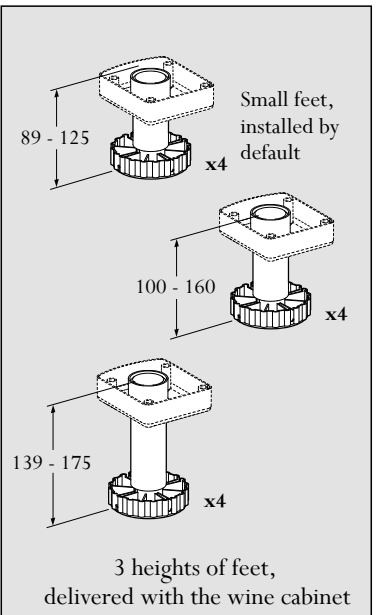
Side view



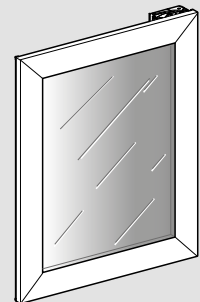
Front view



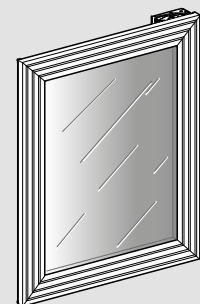
Lower strip - Air outlet
Adjustable in depth



Technical solid door
(thickness of the decor panel = 20mm max.
weight of the decor panel: 12Kg)
Do not use the fillers. Refer on p.8.



Stainless steel glass door



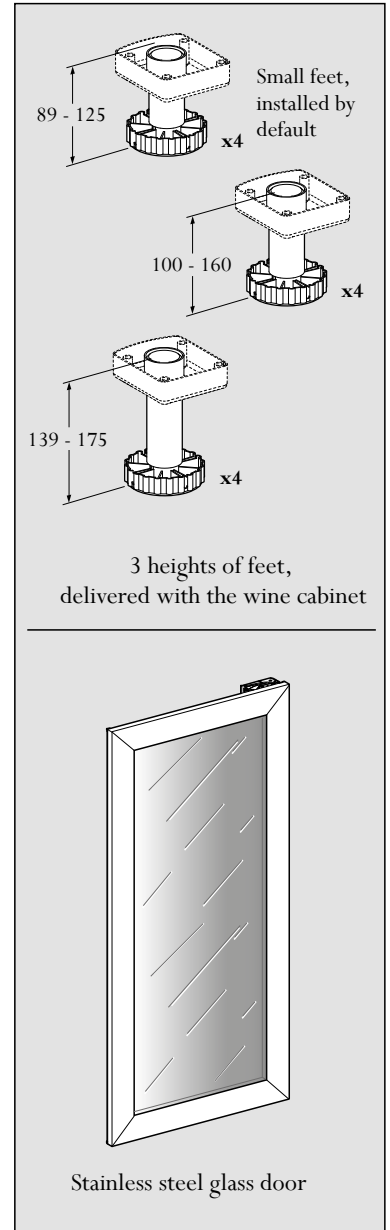
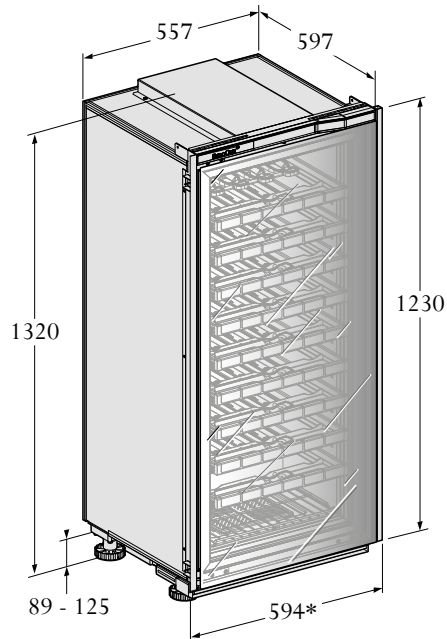
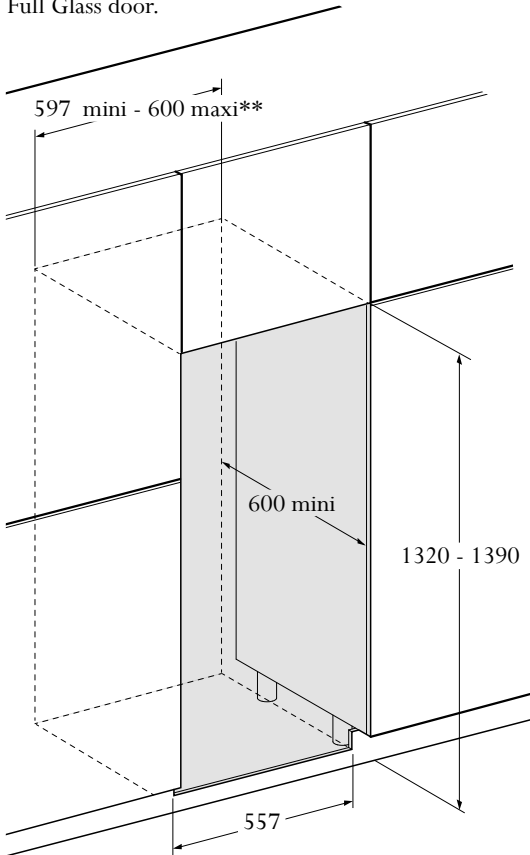
Technical glass door
(thickness of the decor panel = 20mm max.
weight of the decor panel: 12Kg)
Do not use the fillers. Refer on p.8.

* with fillers.

M size Ref.V-INSP-M / D-INSP-M

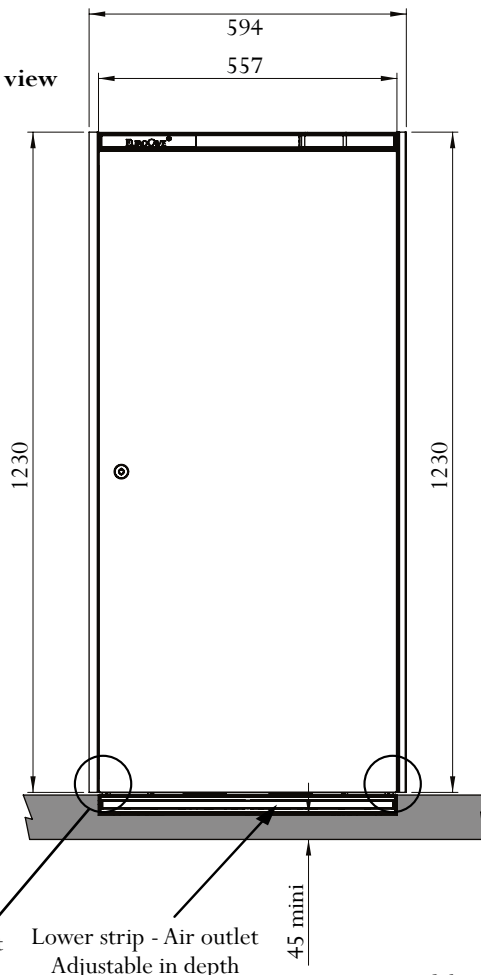
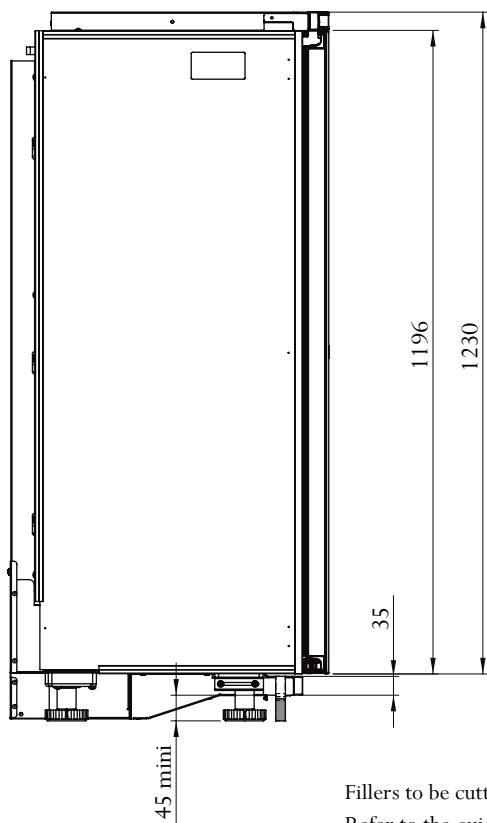
"Built-in" version

Built-in between 2 furnitures. Installed on the floor.
Full Glass door.



Side view

Front view



Fillers to be cutted.

Refer to the quickstart or the IFU.

Lower strip - Air outlet
Adjustable in depth

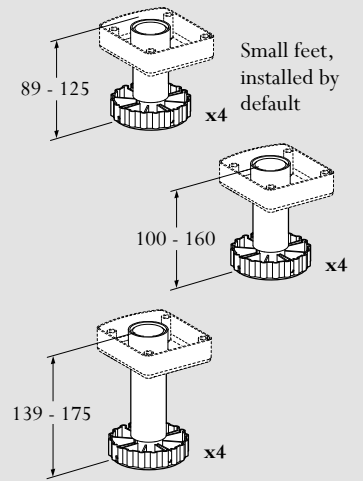
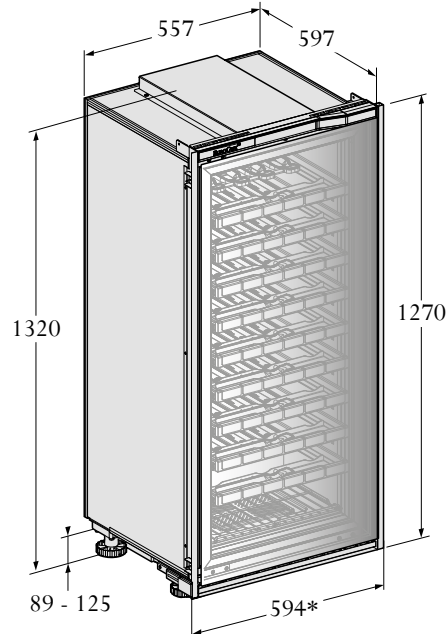
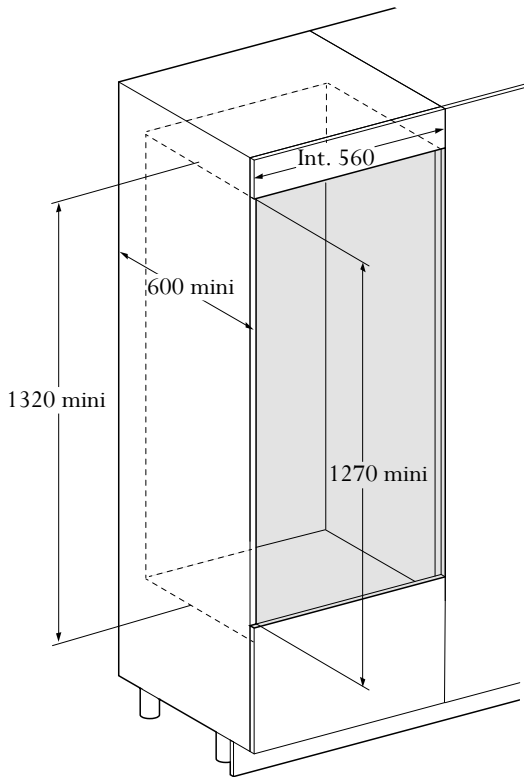
* with fillers

**Depending on the tolerances of the different elements (body, fillers, furniture).

M size Ref. V-INSP-M / D-INSP-M

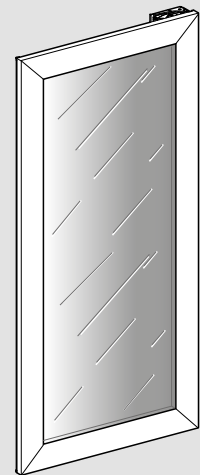
"Flush-fitted" version

Fitted in a kitchen furniture.
Full Glass door.



Small feet,
installed by
default

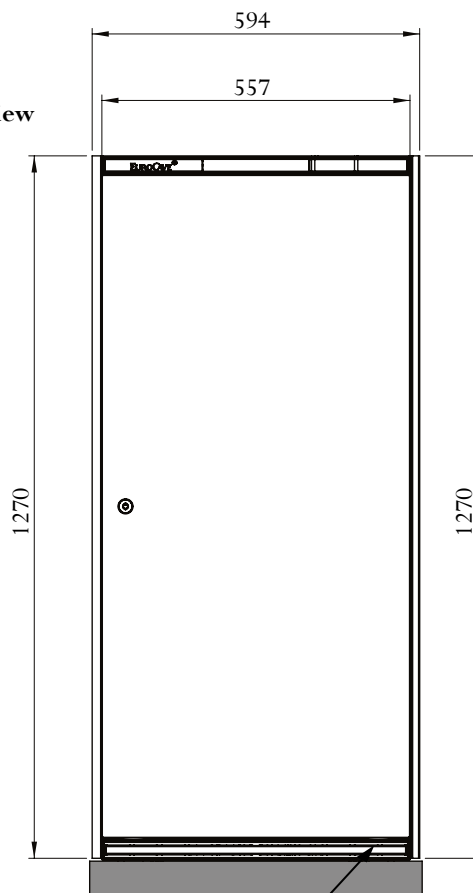
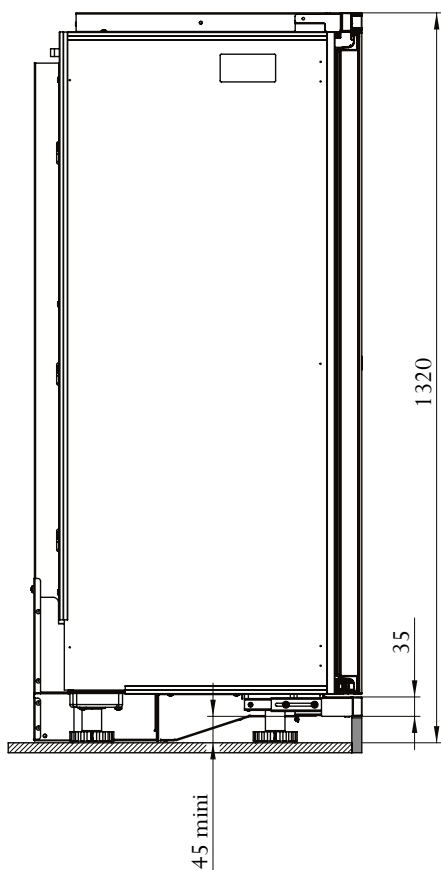
3 heights of feet,
delivered with the wine cabinet



Stainless steel glass door

Side view

Front view



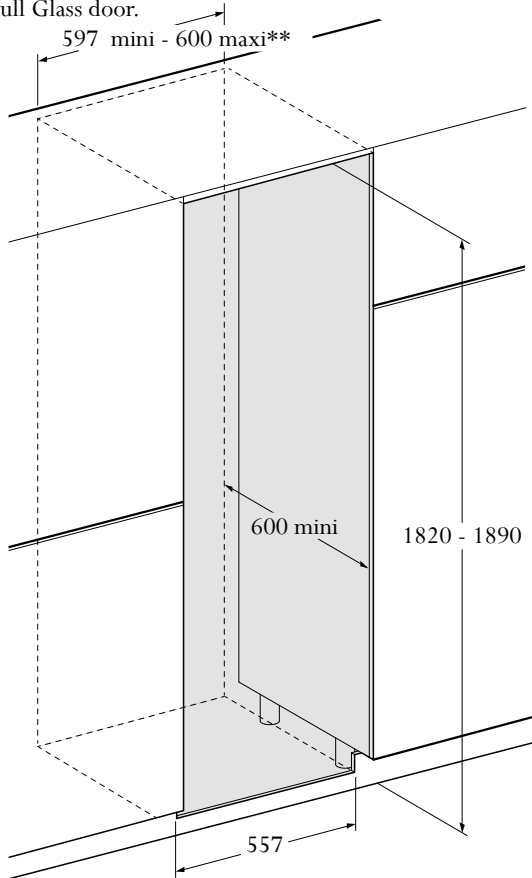
Lower strip - Air outlet
Adjustable in depth

* with fillers.

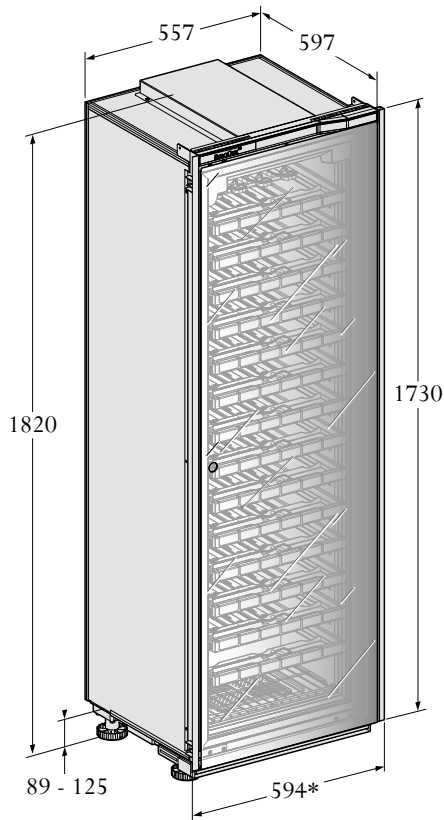
L size Ref. V-INSP-L

"Built-in" version

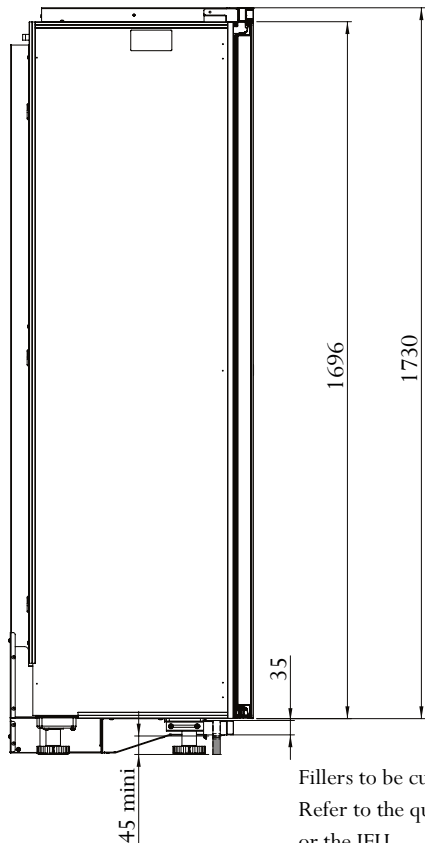
Built-in between 2 furnitures. Installed on the floor.
Full Glass door.



Side view



Front view

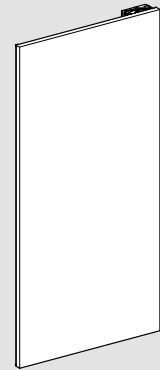
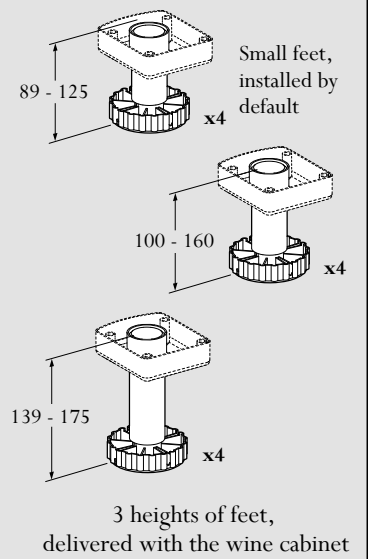


* with fillers.

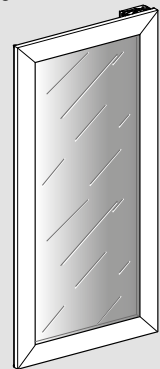
**Depending on the tolerances of the different elements (body, fillers, furniture).

Fillers to be cutted.
Refer to the quickstart
or the IFU.

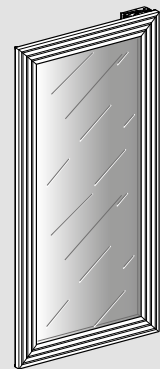
Lower strip - Air outlet
Adjustable in depth



Technical solid door
(thickness of the decor panel = 20mm max.
weight of the decor panel: 12Kg)



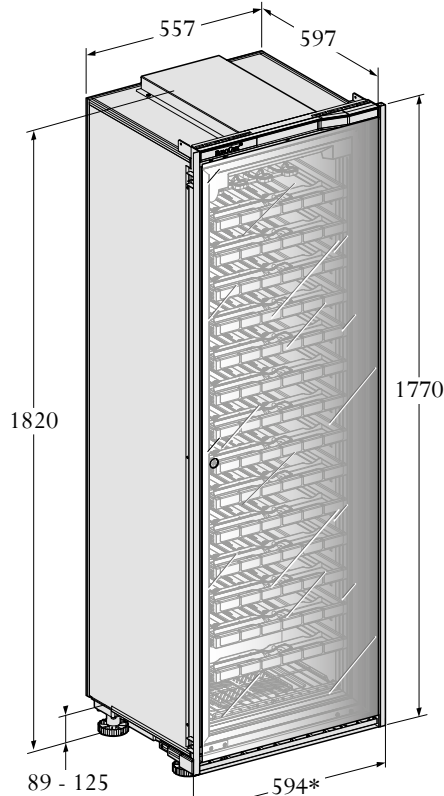
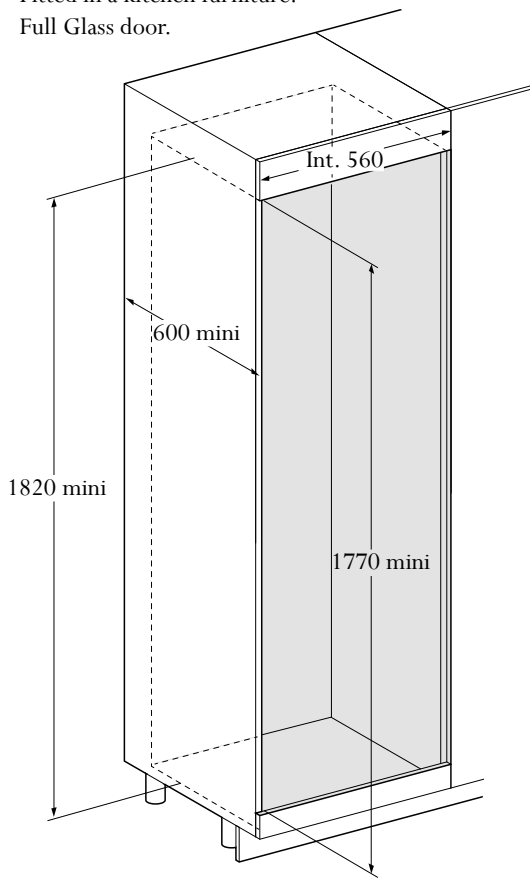
Stainless steel glass door



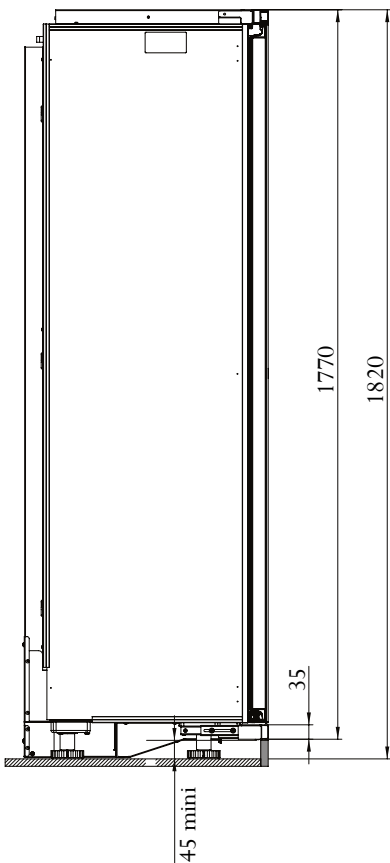
Technical glass door
(thickness of the decor panel = 20mm max.
weight of the decor panel: 12Kg)

L size Ref. V-INSP-L "Flush-fitted" version

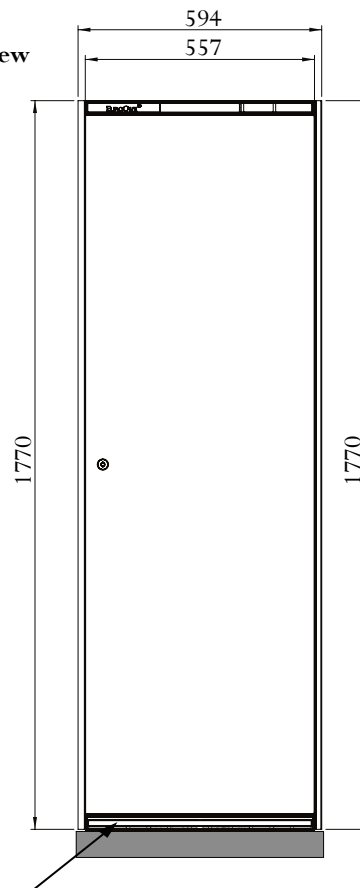
Fitted in a kitchen furniture.
Full Glass door.



Side view

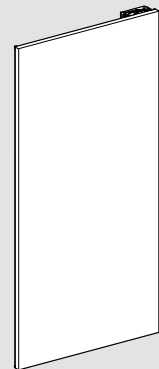
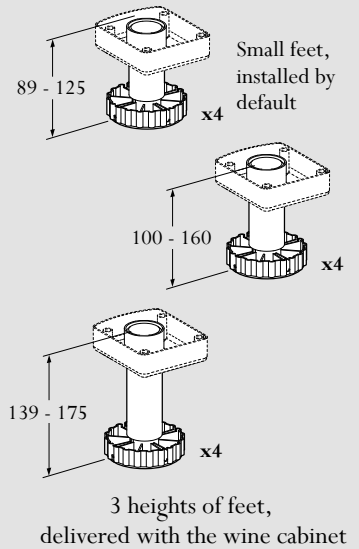


Front view

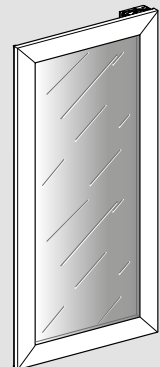


Lower strip - Air outlet
Adjustable in depth

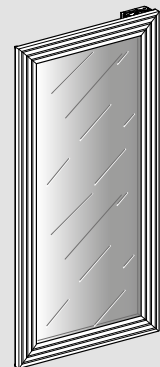
* with fillers.



Technical solid door
(thickness of the decor panel = 20mm max.
weight of the decor panel: 12Kg)
Do not use the fillers. Refer on p.8.



Stainless steel glass door



Technical glass door
(thickness of the decor panel = 20mm max.
weight of the decor panel: 12Kg)
Do not use the fillers. Refer on p.8.

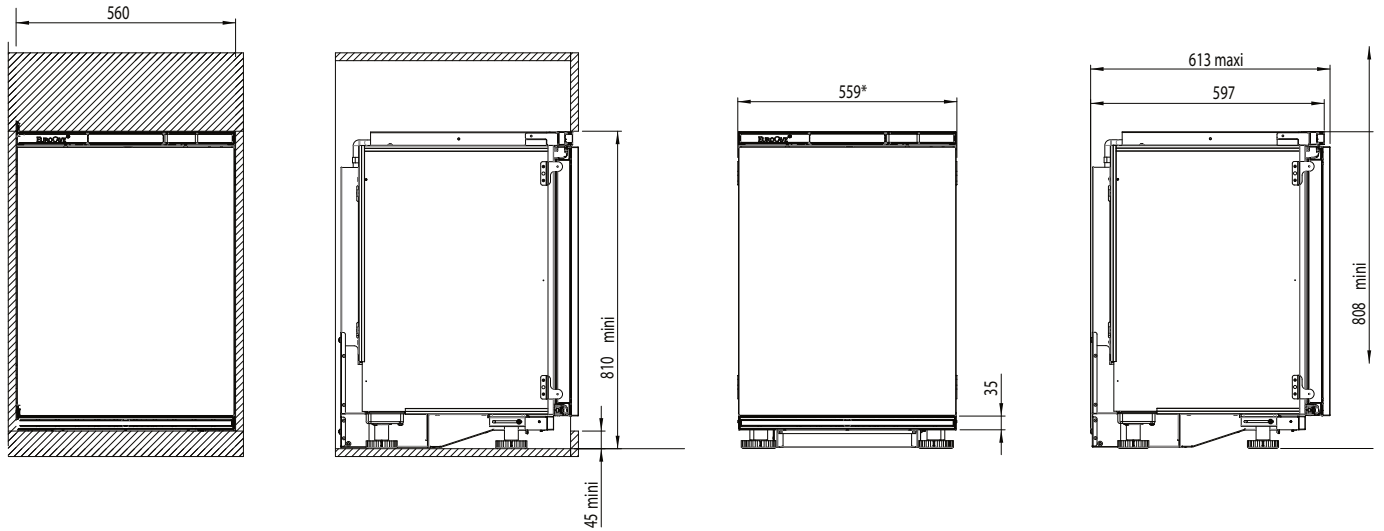
S & L models

Focus on the "flush-fitted" version, with technical glass door or technical solid door.

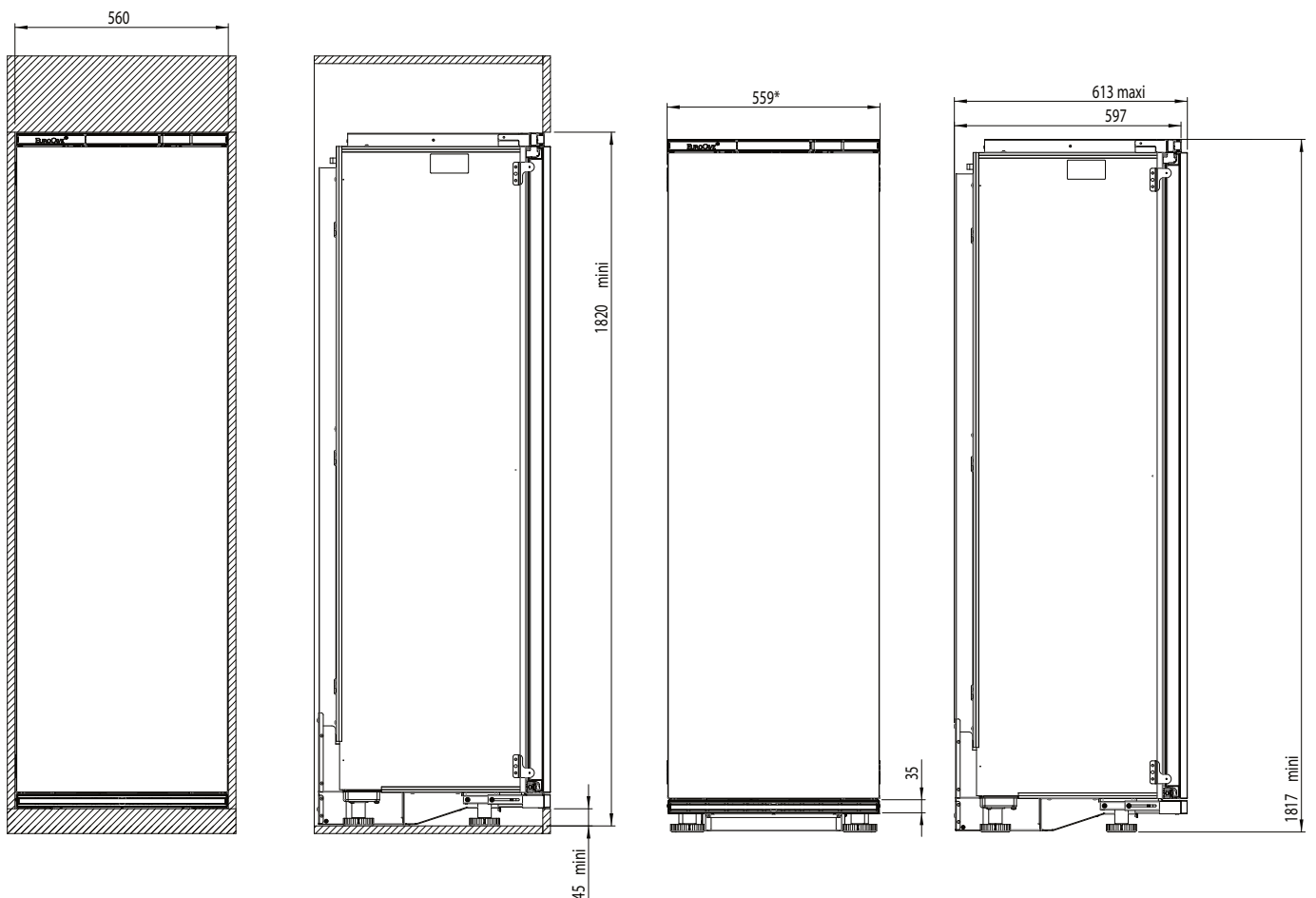
Do not use the lateral fillers, but use the 4 mounting brackets delivered with the wine cabinet.

You can also use the 4 mounting brackets for a "flush-fitted" installation, with the full glass door and the stainless steel glass door, instead of using the fillers.

S model :



L model:



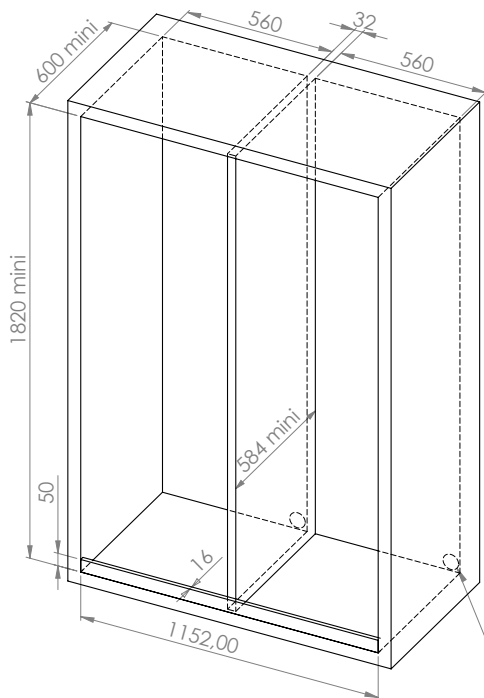
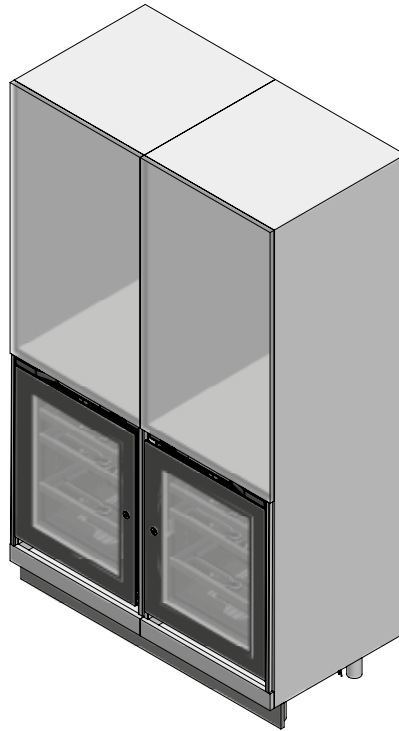
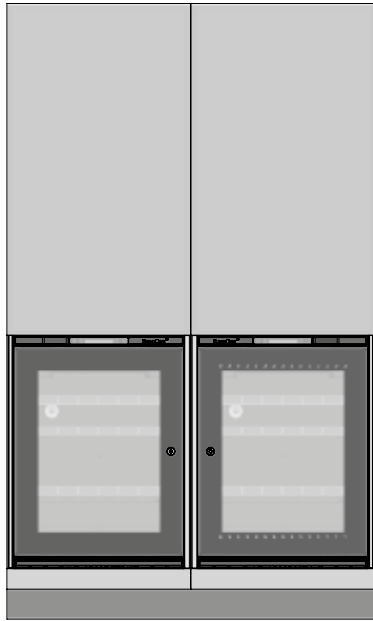
*Width including the 4 mounting brackets.

Installing two cabinets side by side

Please note: If installing two cabinets side by side, they must be placed in two separate kitchen unit casings. This allows adequate circulation of air around the cabinets, ensuring that they function correctly.

If the width of the two casings side by side is less than 1,200 mm, it is possible to install a single wall between the two cabinets.

In the case of a standard installation with two casings 600 mm wide, it is possible to install two walls between the two cabinets.

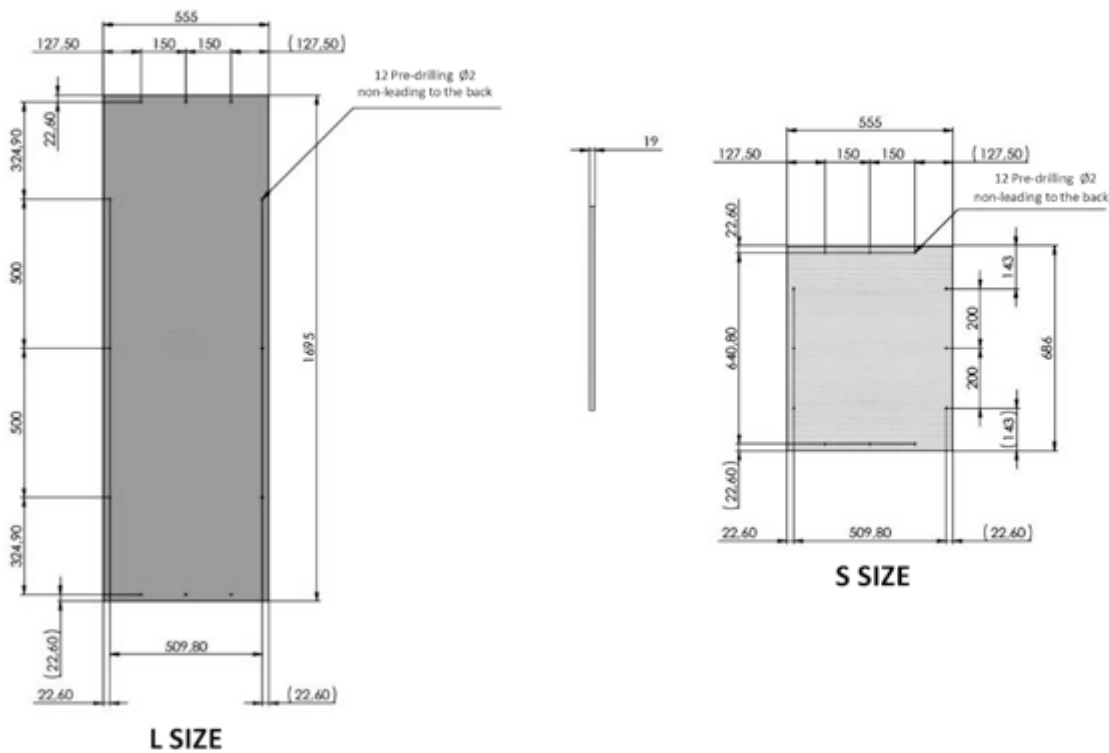


Outlet position
Length of
the power cord: 2m

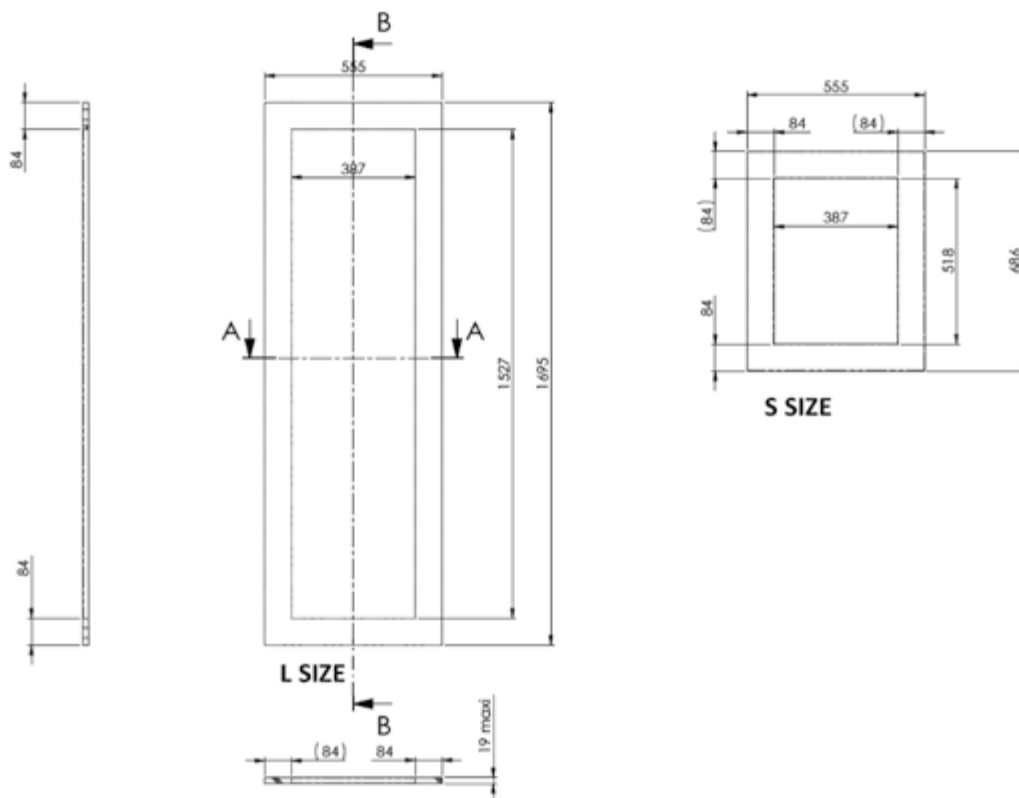
Use the mounting brackets
on the hinge side

Use the mounting brackets or
the handle threader on the handle side.

Dimensions of the decor panel for technical solid doors

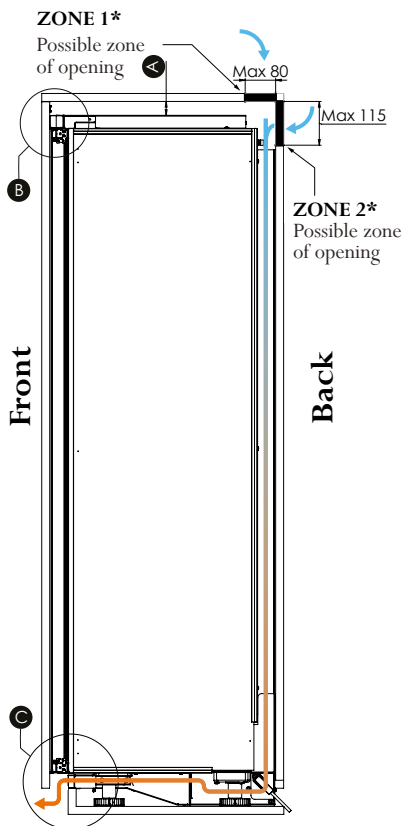


Dimensions of the decor panel for technical glass doors



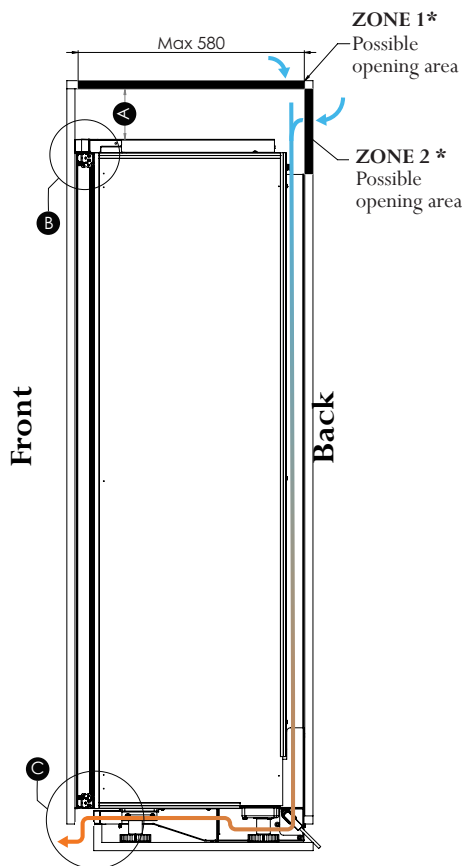
Decorative panel on technical doors: Installation instructions for covering the ventilation areas above and below the appliance

IF A < 35 MM

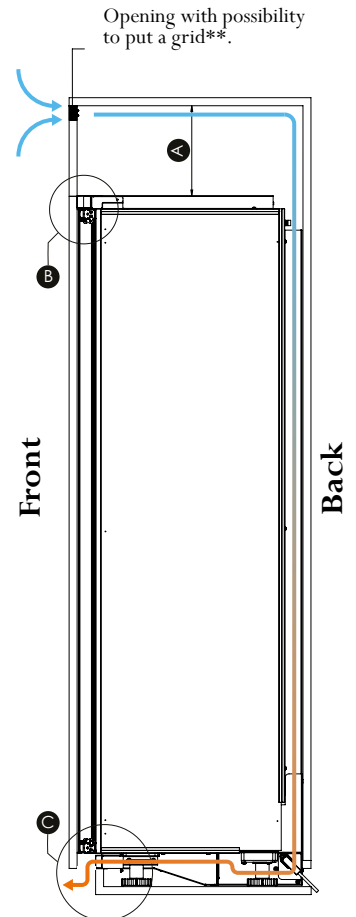


Side view

IF A ≥ 35 MM

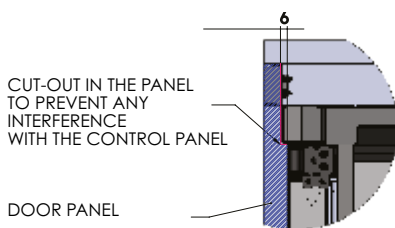


Side view

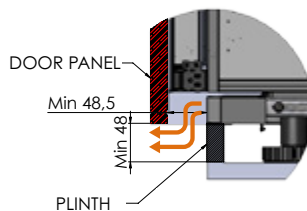


Side view

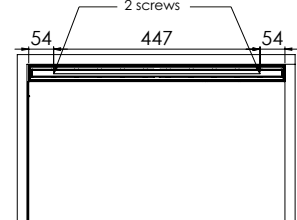
Ref. PINSBACOINFREG



Zoom B



Zoom C



Front view

*A mandatory opening zone: Zone 1 or Zone 2, as desired. The opening must be 150 cm² MIN. = 3 holes of 8 cm diameter.

**If using a ventilation grid on the front, in the upper part of the installation, use the EuroCave spare part reference PINSBACOINFREG // FRONT COVER AIR DUCT.