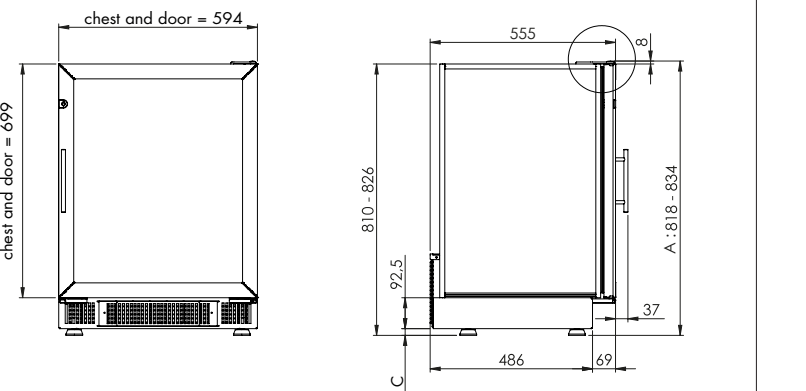
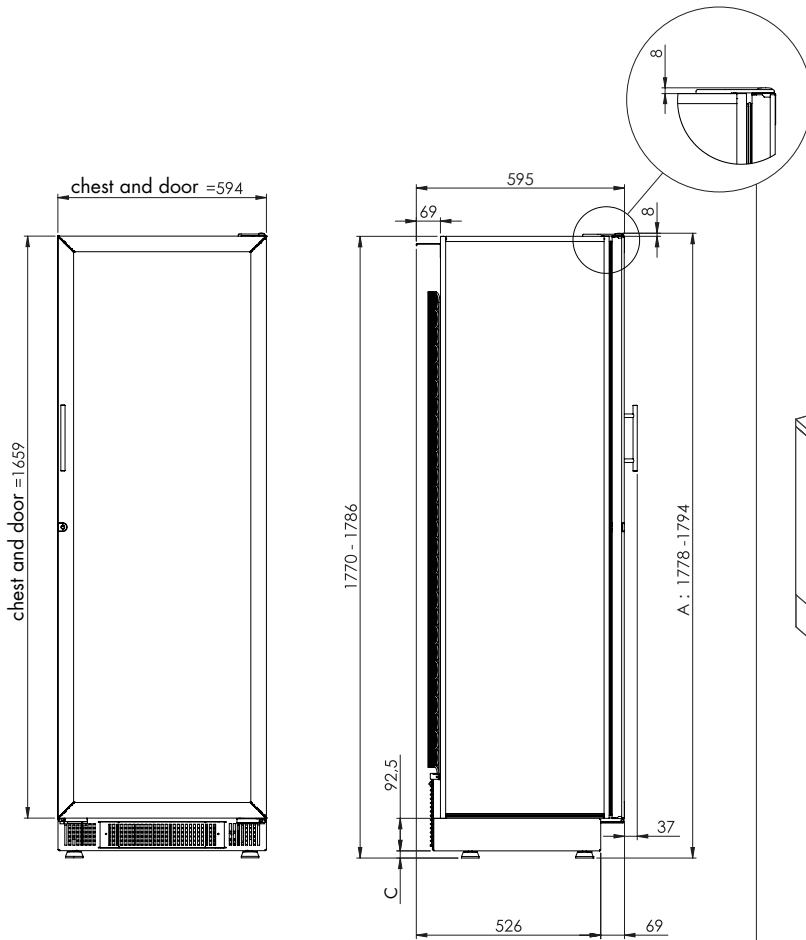


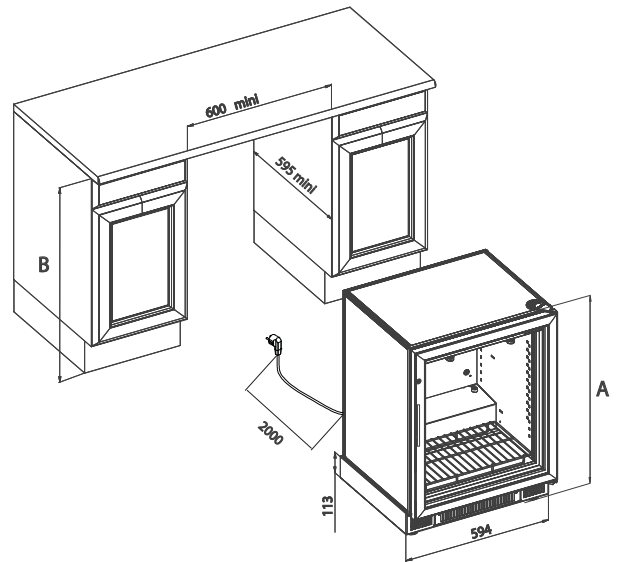
1. Dimensions to be observed for a glass door

	A max.	A min.	A max. with raising piece*	A min. with raising piece*	B min.
059	834	818	877	861	823
259	1794	1778	-	-	1783



Feet adjustment = 16 mm

C min	C max
18.5	34.5



*See chapter "Adjusting the feet and securing the cabinet"



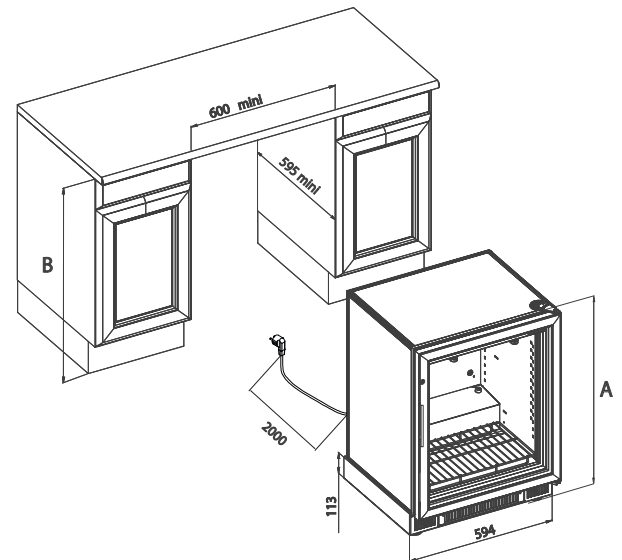
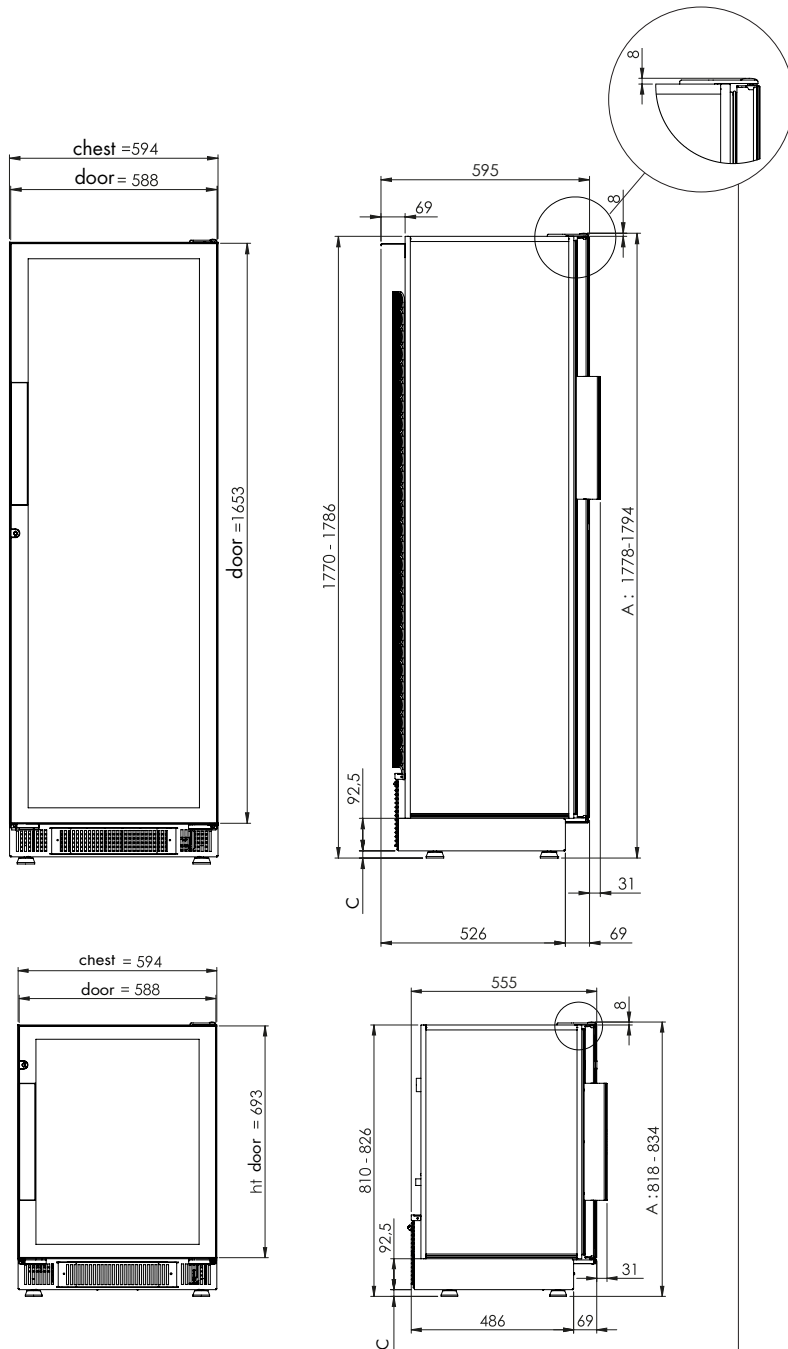
259 models :

- It is essential that the unit inside which the cabinet will be fitted has an opening at the top, at the back, measuring at least 540mm in length and 50mm in width (see technical door diagram).

- Raising pieces are only available for the small model (059).

2. Dimensions to be observed for a full glass door

	A max.	A min.	A max. with raising piece*	A min. with raising piece*	B min.
059	834	818	877	861	823
259	1794	1778	-	-	1783



*See chapter "Adjusting the feet and securing the cabinet"



259 models :

- It is essential that the unit inside which the cabinet will be fitted has an opening at the top, at the back, measuring at least 540mm in length and 50mm in width (see technical door diagram).

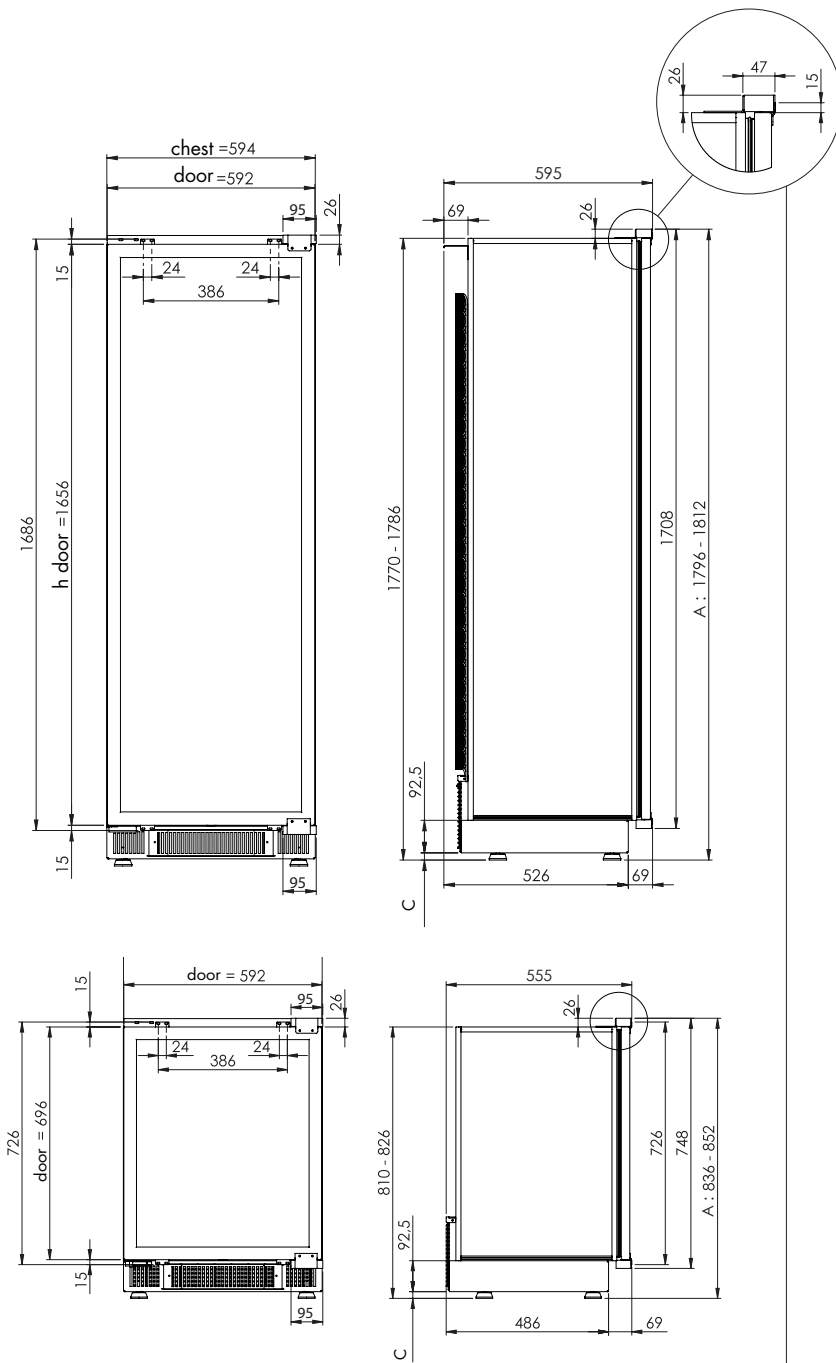
- Raising pieces are only available for the small model (059).

Feet adjustment = 16 mm

C min	C max
18.5	34.5

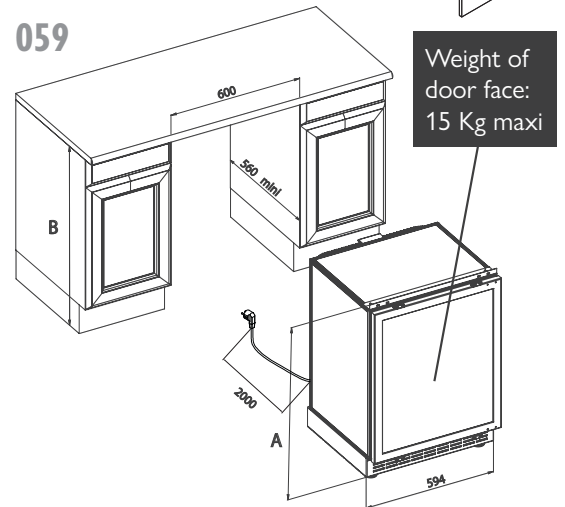
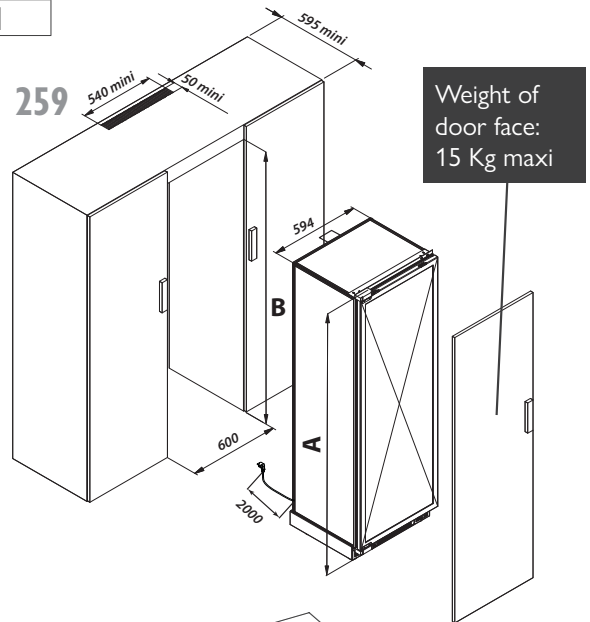
3. Dimensions to be observed for a technical door

	A max.	A min.	A max. with raising piece*	A min. with raising piece*	B min.
059	852	836	895	880	841
259	1812	1796	-	-	1801



Feet adjustment = 16 mm

C min	C max
18.5	34.5



259 models :

- It is essential that the unit inside which the cabinet will be fitted has an opening at the top, at the back, measuring at least 540mm in length and 50mm in width (see technical door diagram).

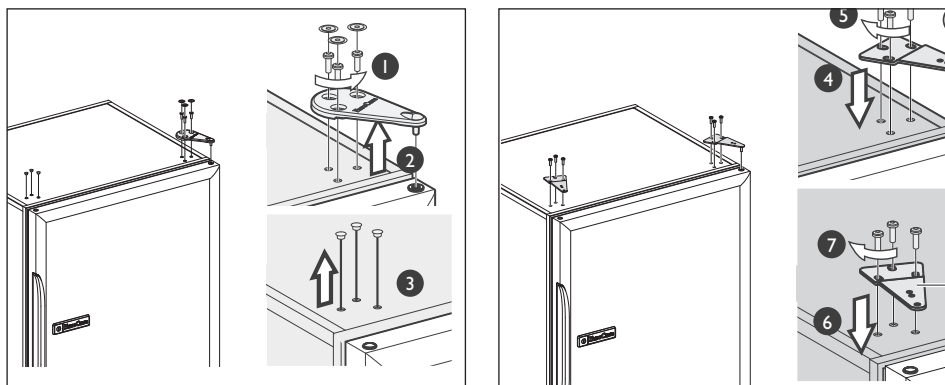
- Raising pieces are only available for the small model (059).

*See chapter "Adjusting the feet and securing the cabinet"

4. Built-in the unit under the table top

4.1 Changing the hinges

- Gently remove the caps using a thin blade.
 - Unscrew the three screws (1) using a T25 Torx wrench.
 - Remove the hinge provided with the unit (2).
 - On the other side, gently remove the caps using a thin blade (3).
 - Assemble (4) the hinge with pin (B) provided with the unit in the «accessories» sachet using the screws (5) in such a way that the door is completely parallel to the body.
 - Assemble (6) the hinge without pin (A) provided with the unit in the «accessories» sachet using the screws (7).
- When you close the door, ensure that the seal adheres well to the body to guarantee air tightness

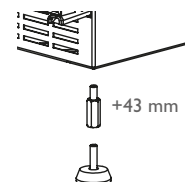


4.2. Adjusting the feet

(to be carried out only when the cabinet is empty)

The wine cabinet's 4 feet can be adjusted in height.

- If necessary, use the hexagonal raising pieces supplied in the "accessories" sachet (Available only for the small model (059)).
- Tilt the appliance forwards, ensuring that the door remains shut.
- Unscrew the back feet and fit the raising pieces, using a 17 mm open-ended spanner.
- Screw the 2 back feet onto the raising pieces.
- Repeat the procedure for the 2 front feet, this time tilting the appliance backwards.



4.3. Securing the cabinet

Use suitable screws to secure the wine cabinet underneath the work top or inside the unit via the holes provided in the hinges.

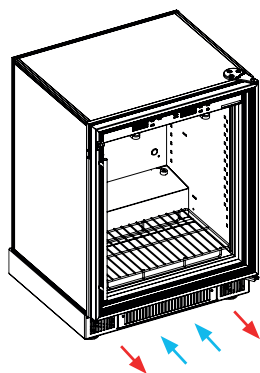
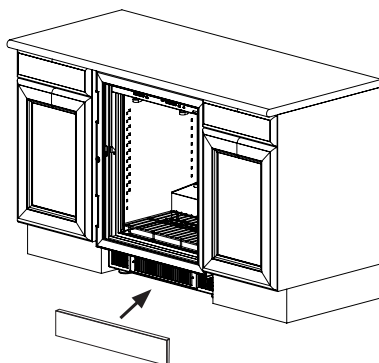
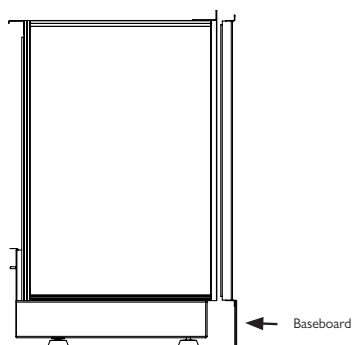
4.4. Fastening a unit door to a technical door

- Position the cabinet so that it is level underneath the work top or inside the unit
- Open the cabinet door to 90°
- Fasten the door face of the kitchen unit onto the cabinet door (8 screws supplied)
- Ensure that the seal is completely air tight

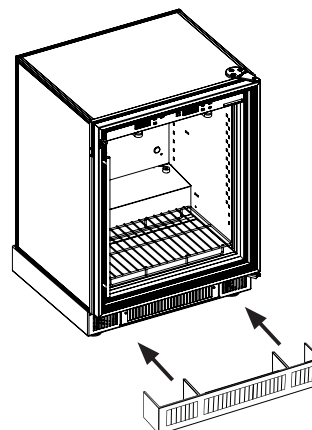
Size	059	259
Door height (in mm)	696	1656
Door width (in mm)	592	592
Door thickness (in mm)	29	29
Seal thickness (in mm)	10	10
Total thickness (in mm)	39	39
Max. weight of door face (in kg)	15	15
Door face + door total weight (in kg)	21	26

4.5. Covering the ventilation grid of your wine cabinet

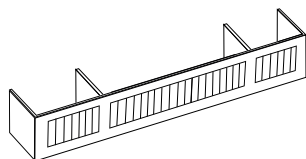
Covering the ventilation grid of your wine cabinet (To optimise the design) can result in poor ventilation of the cabinet. It is therefore necessary to observe the following installation conditions:



The air flows must not be mixed. Make sure that the incoming air flow comes from outside by isolating the air flows. (By using adhesive foam for example)

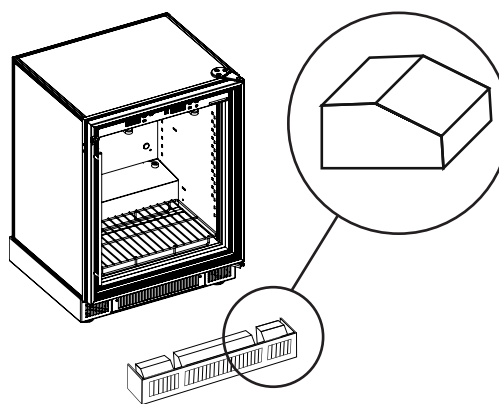


1 .For a non-elevated wine cabinet



The baseboard must have the same openings as those of the ventilation grid.

2 .When elevating the wine cabinet with the raising pieces (see adjusting the feet section)



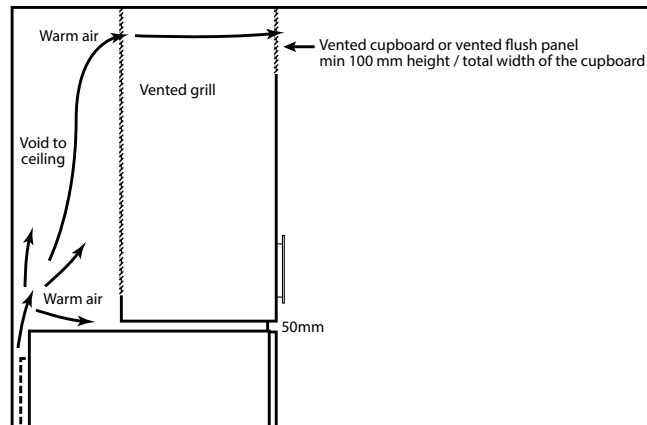
When the cabinet is installed with the hexagonal raising pieces to be elevated, you must adapt the shape of the separators. This is important in order to correctly guide the air flows downwards and therefore to the ventilation grid (incoming or outgoing). The diagram above shows an exemple of shape for the separators, it is not provided with the unit.

Left end section	Middle section	Right end section
8x(W: 6mmxH:60mm)	27x(W: 6mmxH:60mm)	8x(W: 6mmxH:60mm)

W= Width of an opening
H= Height of an opening

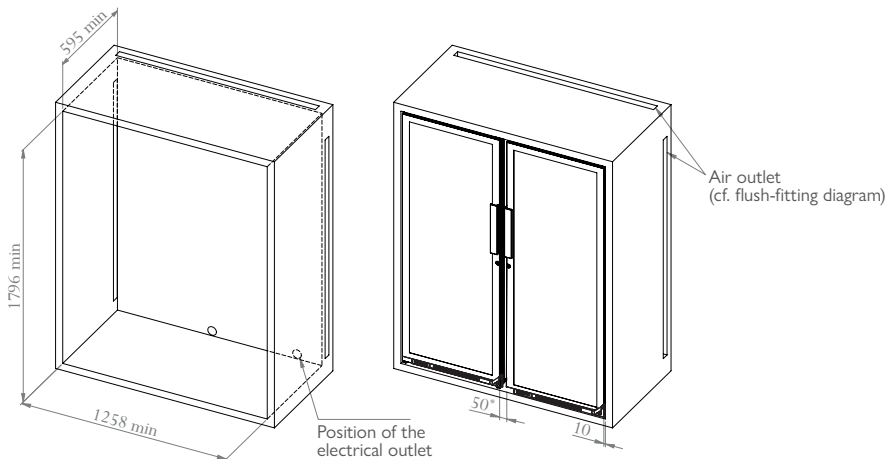
5. Flush-mounting a large model in a column up to the ceiling

Ensuring good ventilation to a tall Compact cabinet when built-in up to the ceiling.



6. Installing cabinets side by side

A space of 50 mm between two cabinets must be respected in order to ensure a good air circulation between the 2 cabinets and avoid any risk of condensation, as this could lead to mold. If the customer does not wish to have any visible gap between the cabinets, it is essential to install an interlayer foam. (Please refer to the installation instructions for the interlayer foam in After-Sales Service Technical Bulletin No. 068 and follow the recommended installation and ventilation guidelines.)



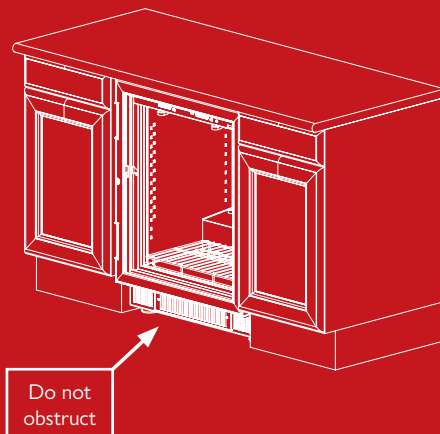
N.B.!

.the air vent

Never obstruct the front air vent. This could result in poor functioning of the cabinet.

.rotation of the door

On the side of the axis of rotation of the door, position it at least 3 mm from the adjacent unit.



.access to the plug

The plug must be accessible after the appliance has been installed. For medium and large models, it is essential that the cabinet is fastened to the unit. Check that the appliance is securely fastened to the unit and that the unit is securely fastened to the wall. (the cord is 2m length)

.glass door

If your door is glazed, never place it on its side as it may break.