

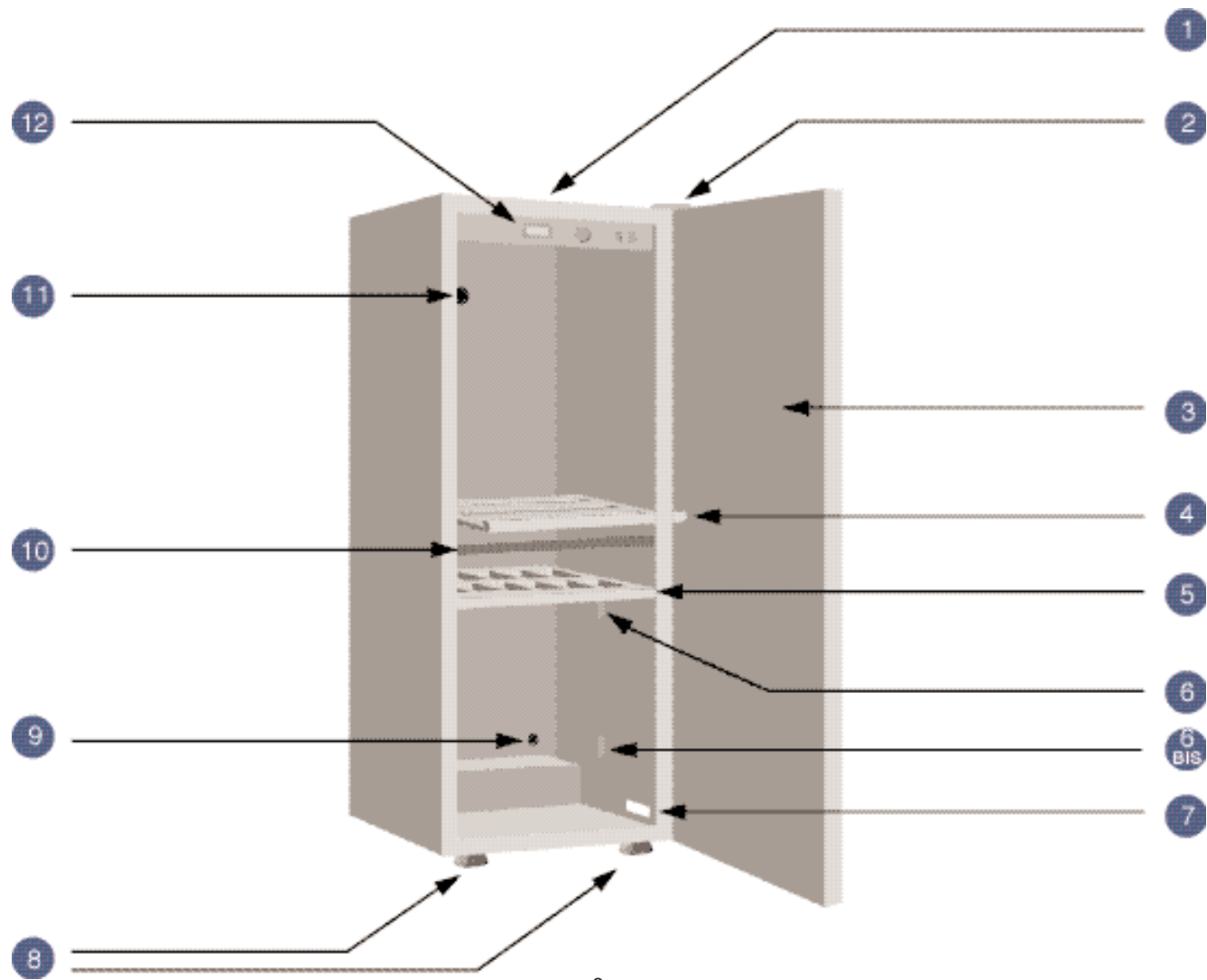
# EuroCave®



**USING**  
your wine cabinet

## Contents

	<b>1 - Your wine cabinet</b>	<b>p. 2-3</b>
	<b>2 - Important safety instructions</b>	<b>p. 4</b>
	<b>3 - Connecting to mains supply</b>	<b>p. 4</b>
	<b>4 - Installing your wine cabinet</b>	<b>p. 5</b>
	<b>5 - Putting into service - Temperature settings</b>	<b>p. 6</b>
	1. Viellithèques - 1 Temperature	p. 7
	2. Duos - 2 Temperatures	p. 8
	3. Eurothèques - 3 Temperatures	p. 9
	4. Servithèques - Multi-temperatures	p. 10
	<b>6 - Electronic option</b>	<b>p. 11-12</b>
	<b>7 - Layout and storage</b>	<b>p. 13-14-15</b>
	<b>8 - Routine maintenance</b>	<b>p. 16</b>
	<b>9 - Operating problems</b>	<b>p. 17</b>
	<b>10 - Technical characteristics</b>	<b>p. 18</b>





## *1 - Your wine cabinet*

- 1 *Outer casing*
- 2 *Hinge*
- 3 *Door*
- 4 *Sliding shelf*
- 5 *Storage shelf*
- 6 *Sensor installation points for Vieillithèques , Duos and Eurothèques*
- 6 *Sensor installation points for Duos and Servithèques*
- 7 *Identification label*
- 8 *2 level-adjustment front feet*
- 9 *Open ventilation hole*
- 10 *Casing sbrace (never move when loaded)*
- 11 *Ventilation hole + Activated charcoal filter*
- 12 *Temperature setting and display panel*

## 2 - Important safety instructions



### PLEASE NOTE

**You must always observe some basic precautions when using your wine cabinet, including:**

*Only use your wine cabinet for the use intended, as described in this guide.*

*Never unplug the wine cabinet by pulling on the power cord. Grip the plug firmly and pull straight out to remove from wall socket.*

*Immediately repair or replace any worn or damaged cord. Never use a cord that is split or which shows signs of wear along its length or on its ends.*

*Do not allow children to climb on, sit on or stand on the wine cabinet, nor hang from its shelves. They could damage the wine cabinet and injure themselves seriously.*

*Be sure to always keep your keys out of childrens' reach, to avoid them locking themselves in.*

## 3 - Connecting to mains supply



### FOR YOUR SAFETY, THE WINE CABINET MUST BE CORRECTLY EARTHED

*The wine cabinet's power cord is equipped with a plug which fits into any standard socket with earth connection, to prevent any risk of shock.*

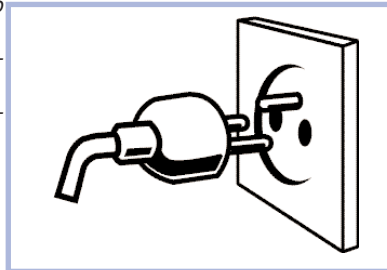
*Have the mains socket checked by a qualified electrician to make sure it is actually connected to earth.*

*If this is not the case, you must have it replaced with a socket which is suitably earthed.*

*If the power cord is damaged, have it replaced by a qualified electrician to prevent any risk.*

*If the wall socket is not equipped with an earth connection, it is your responsibility and your duty to have it replaced with a suitably earthed wall socket.*

*If the plug does not match your socket, you may have another fitted. **PLEASE NOTE:** new electrical cables and plugs should be fitted by a qualified electrician.*



**Make sure the socket is correctly earthed and that your installation is protection by a differential circuit-breaker.**



## 4 - Installing your wine cabinet

- When unpacking your cabinet after delivery, make sure there are no visible external defects (i.e. signs of impact, deformation, etc.).
- Open the door and make sure that nothing is broken or missing (e.g. walls, shelves, hinges, control panel, etc.).
- Move your cabinet to your intended installation site. This location must:
  - not be in a confined space, to allow air to circulate (not in a closed cupboard, for example)
  - not be near any source of heat
  - not be too humid (e.g. laundry, linen, bathroom, etc.)
  - have a stable and flat floor
  - be equipped with a power socket (for a standard 230V, 50/60 Hz, 16 A plug, with earth connection and differential circuit-breaker)
- Glue the water recovery tank on the compressor support, placing it under the small hose leaving the cabinet. The deepest part of the tank must be under this hose.
- Pull out the power cord so that it is accessible and position your cabinet while leaving 8 to 10 cm between its back and the wall.
- Adjust your cabinet's front feet (by screwing them in or out), until it is level (using a spirit level is recommended).
- Remove the protective devices placed inside your cabinet.
- Remove the paper protection from the charcoal filter you will find in the small bag of cabinet accessories, and fit this filter, from the inside of your cabinet, in the ventilation hole at the top on the left side.
- Fit the handle on your cabinet door by screwing it on, but not too tightly.
- Arrange shelves according to your requirements (see section 7 of this guide)
- Before plugging in, allow the cabinet to sit for 48 hours, to allow fluids to settle.

**NOTE:** When moving your cabinet, never tilt it more than 45°, and always on the side of the power cord.

## 5 - Putting into service-Temperature settings



- **After waiting 48 hours, connect your cabinet to the mains socket** after making sure it is correctly supplied (check fuses and amperage and circuit-breaker). Connect another electrical device to check mains if necessary.
- Once your cabinet is plugged in, make sure the On-Off switch on the far right side of the control panel is in the "On" position ( I ).

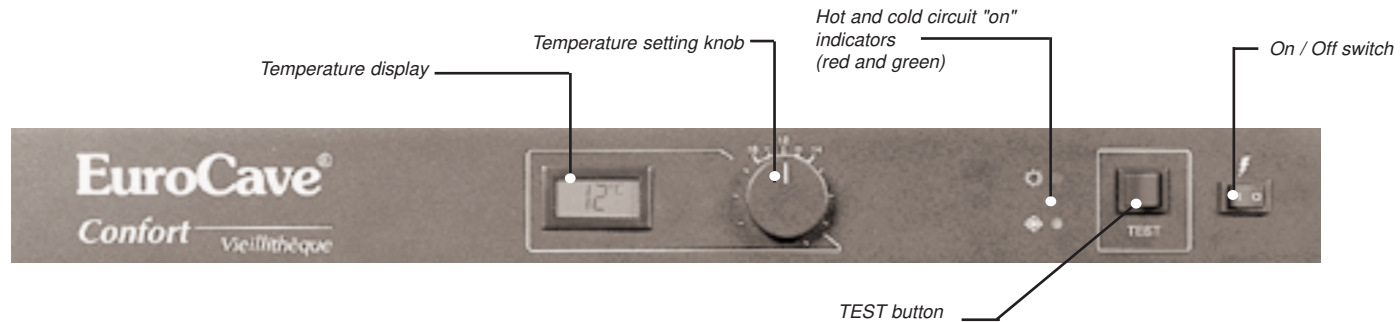


- When you plug in your wine cabinet, must if the switch is in the "On" position (see diagram above), or if the desired temperature is less than the temperature in the room, the green light indicating that the refrigeration circuit is operating, go on (unless your cabinet is a "Vielitheque" 1 temperature model and is placed in a room whose temperature is below 12 °C (54°F), or if the desired temperature is less than the temperature in the room,

**NOTE: In case of operating problems, refer to section 9 of this guide.**

## SETTING TEMPERATURE ON VIELLITHEQUE MODELS (1 temperature)

The temperature of your wine cabinet is entirely controlled from the control panel, which is shown below:



**Temperature display:** Displays the temperature inside your wine cabinet.

**Setting knob:** Used to select the desired cabinet temperature.

**Operation indicators:** Indicates operation of the hot (red) or cold (green) circuit.

**TEST button:** Used to test the operation of the cabinet's circuits (see section 9).

### To set the temperature of your Vieillithèque:

Turn the temperature setting knob until the gold line points to the desired internal cabinet temperature.

**NOTE:** To operate correctly, your cabinet must be placed in a room whose temperatures range from 0 to +35 °C (32° to 92°F)

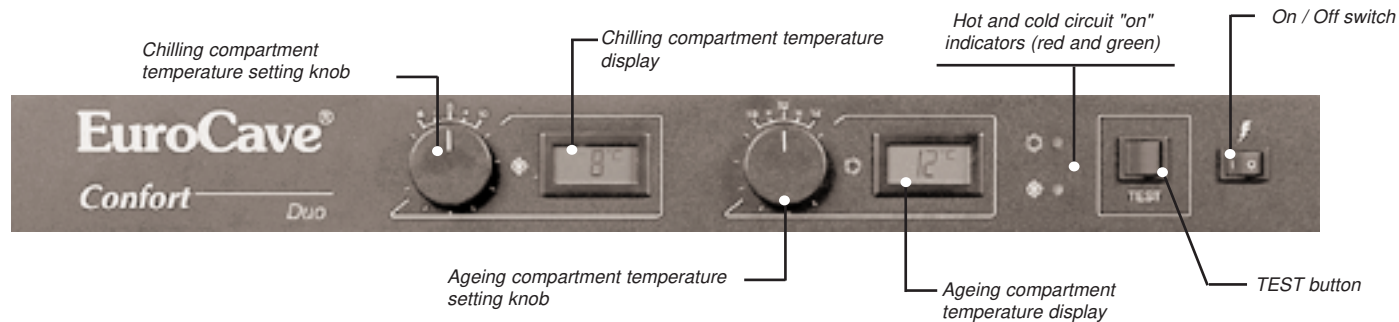
Recommended setting range: 10 to 14°C (50° to 57°F)



**It is possible that even if the settings in this manual are followed, some external air and temperature conditions may slightly affect the performance of the cabinet. Each environment is unique, so minor setting adjustments may be necessary.**

## SETTING TEMPERATURES ON DUO MODELS (2 temperatures)

Your wine cabinet's temperatures are entirely controlled from the control panel, which is shown below:



**Temperature displays:** Displays the various temperatures inside your wine cabinet.

**Setting knobs:** Used to select the desired cabinet temperatures.

**Operation indicators:** Indicates operation of the hot (red) or cold (green) circuit.

**TEST button:** Used to test the operation of the cabinet's circuits (see section 9).

### To set the temperature of your Duo:

Turn the temperature setting knob of the chilling compartment (on the left) until the gold line points to the temperature you want in your cabinet's lower compartment.



Recommended setting range: 6 to 10°C.

Turn the temperature setting knob of the ageing compartment (on the right) until the gold line points to the temperature you want in your cabinet's main compartment.



Recommended setting range: 10 to 14°C

Whatever the case, the difference in the temperature settings of the chilling and ageing compartments must not exceed 6°C (i.e. if the chilling compartment is set at 6°C, then the ageing compartment cannot be set higher than 12°C). Equally, the difference must not be less than 2°C (i.e. if the chilling compartment is set at 10°C, the ageing compartment cannot be lower than 12°C). When changing the temperature settings significantly, several hours may be necessary for your wine cabinet to stabilise and display the desired temperatures.

**To operate correctly, a Duo cabinet must be placed in a room whose temperatures remain between 0 and 35°C.**

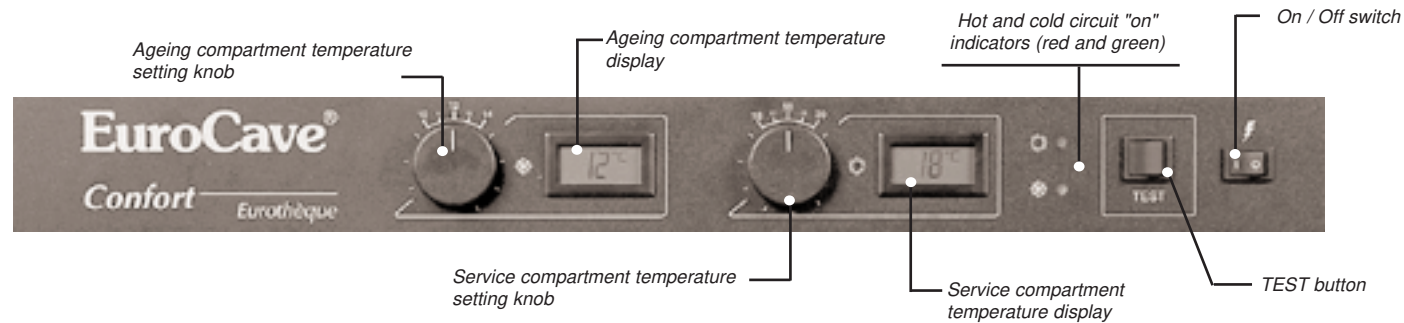
**It is possible that even if the settings in this manual are followed, some external air and temperature conditions may slightly affect the performance of the cabinet.**

**Each environment is unique, so minor setting adjustments may be necessary.**



## SETTING TEMPERATURES ON EUROTHEQUE MODELS (3 temperatures)

Your wine cabinet's temperatures are entirely controlled from the control panel, which is shown below:



**Temperature displays:** Displays the various temperatures inside your wine cabinet.

**Setting knobs:** Used to select the desired cabinet temperatures.

**Operation indicators:** Indicates operation of the hot (red) or cold (green) circuit.

**TEST button:** Used to test the operation of the cabinet's circuits (see section 9).

### To set the temperature of your Eurotheque:

Turn the temperature setting knob of the ageing compartment (on the left) until the gold line points to the temperature you want in your cabinet's central compartment.

Recommended setting range: 10 to 14°C (50° to 57°F)



Turn the temperature setting knob of the service compartment (on the right) until the gold line points to the temperature you want in your cabinet's upper compartment (service).

Recommended setting range: 16 to 20°C (60° to 68°F)

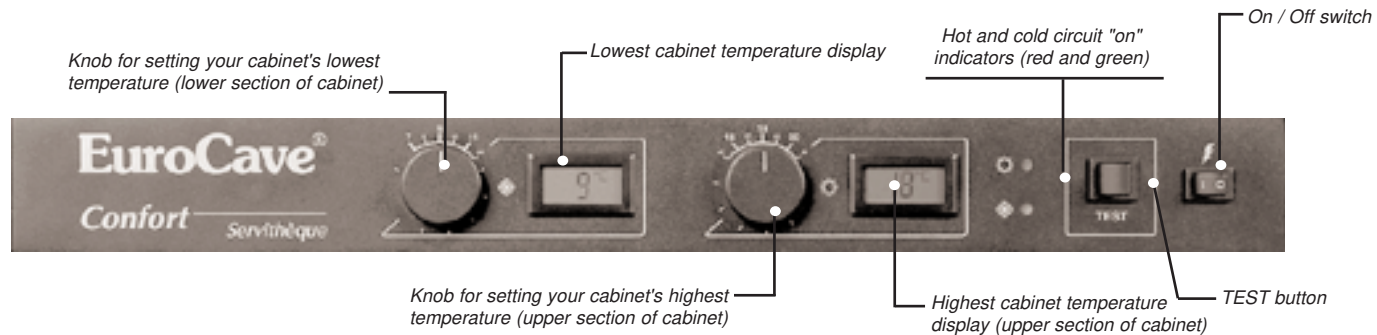


In Eurotheque model cabinets, the temperature of the chilling compartment depends on that of the ageing compartment. This is why selecting a temperature less than 8°C (46°F) in the chilling compartment will decrease the temperature in the ageing compartment to approximately 10°C (50°F). Less than 17°C (63°F) cannot be obtained in the service compartment on models equipped with glazed doors.

**To operate correctly, a Eurotheque cabinet must be placed in a room whose temperatures remain between 12 and 25°C (54° to 77°F). It is possible, even if the settings in this manual are respected, that you will be unable to obtain the precise temperature desired. Each case is individual and slight setting adjustments may be necessary.**

## SETTING TEMPERATURES ON SERVITHEQUE MODELS (multi-temperature)

Your wine cabinet's temperatures are entirely controlled from the control panel, which is shown below:



*Temperature displays:*

Display the temperatures inside your wine cabinet.

*Setting knobs:*

Used to select the desired cabinet temperatures.

*Operation indicators:*

Indicate operation of the hot (red) or cold (green) circuit.

*TEST button:*

Used to test the operation of your cabinet's circuits (see section 9).

### To set the temperature of your Servithèque cabinet:

Turn the lowest temperature setting knob (on the left) until the gold line points to the lowest temperature you want inside your cabinet (this temperature will be obtained in the lower section).

Recommended setting range: 7 to 12°C (45° to 54°F)



Turn the highest temperature setting knob (on the right) until the gold line points to the highest temperature you want inside your cabinet (this temperature will be obtained in the upper section).

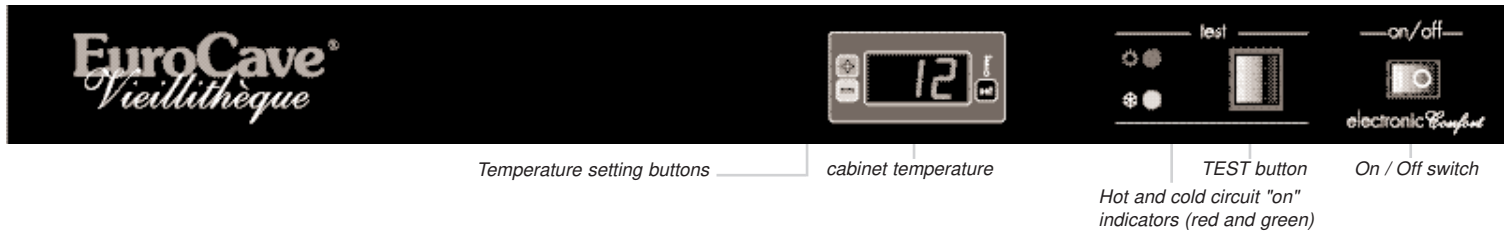
Recommended setting range: 15 to 21°C (59° to 70°F)



To operate correctly, a Servithèque cabinet must be placed in a room whose temperatures remain between 12 and 35°C (54° to 92°F). It is possible, even if the settings in this manual are respected, that you will be unable to obtain the precise temperature desired. Each case is individual and slight setting adjustments may be necessary.






## 6 - Electronic option

### SETTING TEMPERATURE ON VIEILLITHEQUE MODELS (1 temperature)



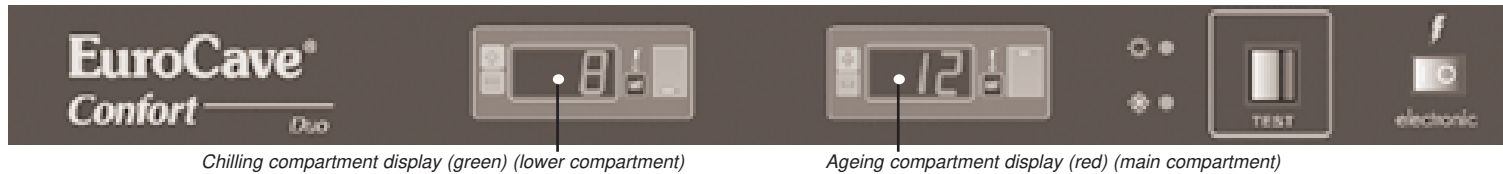
Your wine cabinet's temperatures are entirely controlled from the control panel, which is shown below:



- 1 Press** the right button "SET"  for approximately 2 seconds. The word "SET" then appears on the display.
- 2 Press** the SET button once again rapidly. The current set temperature will then be displayed (a little green light top left hand corner flashes)
- 3** When this light is flashing, you then have 10 seconds to modify the setting by pressing the  and  buttons, otherwise, the reading will automatically go back to the measure reading.  
*Recommended setting range: 10 to 14°C (50° to 57°F)*
- 4** Once you have finished the setting, wait approximately 10 seconds, the display will automatically revert to the actual temperature within the cabinet and the small light will go out.  
The temperature is pre-set at 12°C (54°F) (ideal preservation temperature). One can however modify the setting between 9 and 15°C (48° and 59°F). Beyond these two limits, the  and  buttons will not function.

*When changing the temperature settings significantly, several hours may be necessary for your wine cabinet to stabilise and display the desired temperatures.*

## SETTING TEMPERATURES ON DUO MODELS (2 temperatures)



Chilling compartment display (green) (lower compartment)

Ageing compartment display (red) (main compartment)

### Temperature adjustment of your Duo type wine cabinet is carried out, in the same manner as the Vieillithèque cited above.

Recommended temperature range for the chilling compartment 6 to 10°C (43° to 50°F)

Recommended temperature range for the ageing compartment 10 to 14°C (50° to 57°F)

For the chilling compartment, the temperature is pre-set at 8°C (46°F) (ideal chilling temperature). One can however modify this setting between 5 and 12°C (41° and 54°F). Beyond these two limits, the **+** and **-** buttons will not function.

For the ageing compartment, the temperature is pre-set at 12°C (54°F) (ideal ageing temperature). One can however modify the setting between 9 and 16°C (48° and 61°F). Beyond these two limits, the **+** and **-** buttons will not function.

Whatever the case, the difference in the temperature settings of the chilling and ageing compartments must not exceed 6°C (43°F) (i.e. if the chilling compartment is set at 6°C (43°F), then the ageing compartment cannot be set higher than 12°C (54°F). Equally, the difference must not be less than 2°C (4°F) (i.e. if the chilling compartment is set at 10°C (50°F), the ageing compartment cannot be lower than 12°C (54°F)).

## SETTING TEMPERATURES ON SERVITHEQUE MODELS (multi-temperatures)



Upper cabinet temperature display (red)

Lower cabinet temperature display (green)

### Temperature adjustment of your Servithèque type wine cabinet is carried out, in the same manner as the Vieillithèque cited above.

Recommended upper setting range: 15 to 21°C (59° to 70°F)

Recommended lower setting range: 7 to 12°C (45° to 54°F)

For the upper temperature, the setting is pre-set at 17°C (63°F). One can however modify the setting between 15 and 22°C (50° and 72°F). Beyond these two limits, the **+** and **-** buttons will not function.

For the lowest temperature, the setting is pre-set at 7°C (45°F). One can however modify this setting between 5 and 12°C (41° and 54°F). Beyond these two limits, the **+** and **-** buttons will not function.

When changing the temperature settings significantly, several hours may be necessary for your wine cabinet to stabilise and display the desired temperatures.

## 7 - Layout and storage



- Your Eurocave cabinet was designed to be open-ended, to be able to adapt to your requirements.

### VARIOUS TYPES OF STORAGE



Bordeaux bottle  
storage shelf : **AXB**

Capacity: 78 bottles  
Max. weight: 100 kg



Bordeaux bottle  
sliding shelf: **AXC**

Capacity: 13 bottles  
Max. weight: 25 kg



Universal storage  
shelf: **AXU**

Capacity: 77 bottles  
Max. weight: 100 kg



Display kit: **AXK**

Capacity: 33 bottles  
Max. weight:  
inferior shelf 20 kg  
superior shelf 10 kg



Universal sliding  
shelf: **ABC**

Capacity: 12 bottles  
Max. weight: 25 kg



Alsace sliding  
shelf: **ACR**

Capacity: 11 bottles  
Max. weight : 25 kg

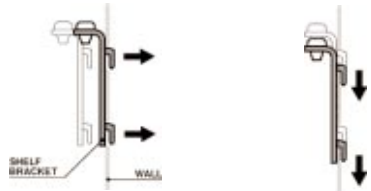


Magnum sliding  
shelf: **ACG**

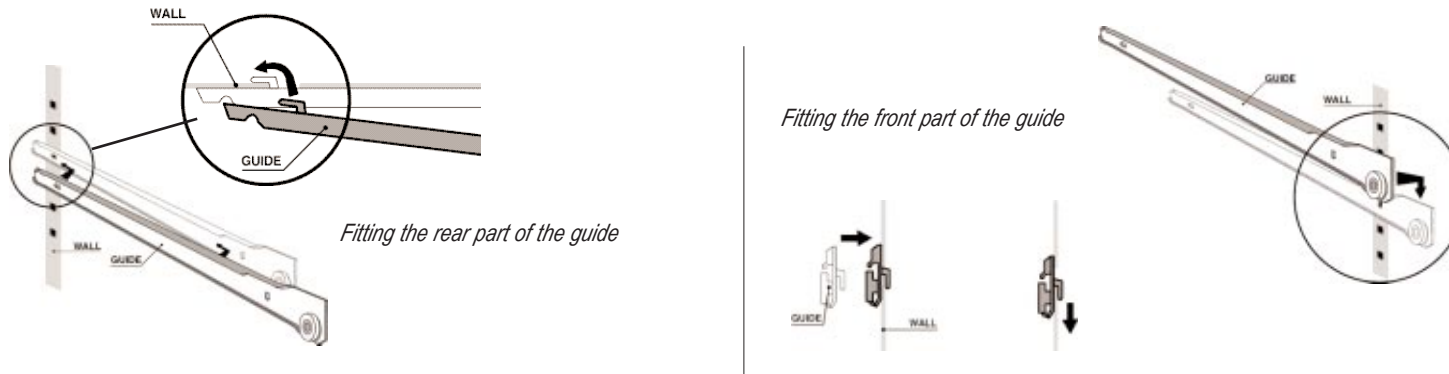
Capacity: 7 bottles  
Max. weight : 25 kg

**Fitting shelf brackets** (read carefully if you intend to modify your cabinet's shelf positions)

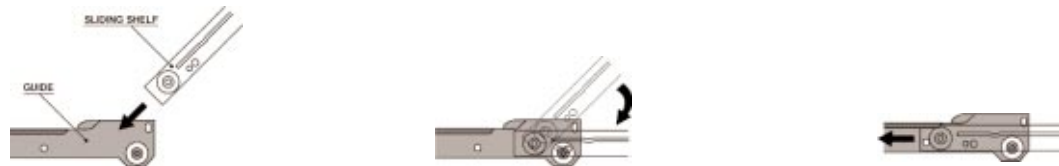
To move a storage shelf, first remove all bottles, then move the shelf brackets and make sure to fit them back into slots as shown below:



To move a sliding shelf, first remove all bottles, then remove the sliding tray by sliding it toward you while lifting the front part. Remove the sliding guides from the walls, while making sure not to mix up the right and left guides. Then refit them as shown below:



Then refit the sliding tray as shown below:



## RECOMMENDATIONS FOR LAYOUT AND STORAGE YOUR WINE CABINET

*Your EuroCave cabinet was designed to store a maximum number of bottles in total security. We recommend that you observe the tips below to optimize loading.*

*- Spread your bottles out as evenly as possible over the shelves, so that weight is not concentrated in one point. Also make sure your bottles do not touch the back of the cabinet, or the step at bottom.*

*- Also make sure that bottles are not all grouped together at the top or bottom of the cabinet.*

*- Observe the loading instructions provided in section 7, according to the type of storage fixtures with which your cabinet is equipped, and never stack bottles on a sliding shelf.*

*- If your cabinet has sliding shelves, they should be installed toward the top of the cabinet to facilitate everyday access.*

*- Also place one or two bottles of each of your wines on the sliding shelves and keep your reserve bottles on the storage shelves. Then simply replace bottles when necessary.*

*- Never try to pull out more than one sliding shelf at a time.*

### PLEASE NOTE

*Never change the position of your cabinet's brace(s)  
(see diagram on page 2-3) without first consulting your dealer,  
and never move this part while your cabinet is loaded.*

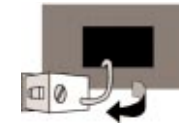
*Before modifying your cabinet's original configuration in any way,  
be sure to ask your dealer for advice.*

## 8 - Routine maintenance



*Your Eurocave cabinet is easy to operate and has proven its reliability. It will provide long-lasting satisfaction if you follow the simple maintenance and cleaning operations listed below.*

- Replace the activated charcoal filter in our cabinet's upper ventilation hole each year (your dealer keeps this accessory in stock).*
- Remove dust from the condenser (metal screen on the back of the cabinet) twice a year.*
- Make sure the power cord is unplugged before cleaning the back of your cabinet, or before moving it.*
- Clean the inside of your cabinet thoroughly once a year, after unplugging and unloading it (use water and a mild cleaning product, then rinse carefully).*
- Put the power switch on the "0" position, then unplug the cabinet before changing the temperature display battery(ies). Remove the display(s) through the front of the control panel, as shown below.*



*silver oxide SR 44W (357) battery*

*When the battery has been replaced, put the sensor wire back into the panel, and clip the display unit back in.*

***To assure that your wine cabinet provides long-lasting service, you should check it regularly and inform your dealer if you note anything unusual.***





## 9 - Operating problems

### START-UP

**Compressor does not start, even though the desired temperature is lower than the temperature in the room.**

- 1-Check the wall socket by plugging in any type of electrical device, and make sure that the on/off switch is in the "I" position.
- 2-Press the TEST button and check that the two red and green indicator lights light up.
- 3-Turn the low temperature setting knob (or the single temperature setting knob for Viellitheque type cabinets) as far as it will go counter-clockwise, and make sure that the green indicator light lights.
- 4-If the compressor still does not start after steps 2 and 3, contact your dealer.

**Compressor does not stop.**

- 1- Place your hand on the condenser (metal screen at the back of your cabinet) to check its temperature. Contact your dealer if cold.
- 2-If the condenser is hot, set the cold temperature as high as possible (as far as it will go clockwise) and make sure that the cold circuit operation indicator goes off. If the compressor does not stop, unplug the cabinet and contact your dealer.

### DURING OPERATION

**A liquid crystal display indicates a temperature below the temperature you set.**

- 1-Check the temperature set-points (see pages 7 to 9 of this manual).
- 2-Check that the red hot circuit operation indicator light is on.
- 3-Press the TEST button, and check that the two red and green indicator lights on the right side of the panel are on. If either step 2 or 3 is incorrect contact your dealer.

**A liquid crystal display indicates a temperature above the temperature you set.**

- 1-Check the temperature set-points (see pages 7 to 9 of this manual).
- 2-Check that the green cold circuit operation indicator light is on.
- 3-Press the TEST button, and check that the two red and green indicator lights on the right side of the panel are on. If either step 2 or 3 is incorrect contact your dealer.

Contact your dealer, if after adjusting set-points and testing hot and cold circuit indicator lights either of the two problems above are not corrected.

**Note:** The refrigeration unit must only be serviced by a refrigeration technician, who must check the circuit for leaks before putting back into service. Any servicing of the electrical circuit must only be performed by an electrician.

**NB:** Whatever the case, if your cabinet does not seem to be operating normally, unplug it and call your dealer.

## 10 - Technical characteristics



### VIEILLITHEQUE - Ageing cabinets - 1 temperature

Model n°	Dimensions(mm)			Weight in kg (empty)	Electrical power	Max. current**	Consumption over 24 h	Voltage (V)*	Voltage tolerance	Frequency (Hz) *	Gas	Operating limits		Regulation precision	Display precision
	H	W	D									Min. T.	Max. T.		
V064	874	654	689	45	92W	0,4A	0,5 kwh	230	+10/-10	50	R134A	0°C	35°C	+/- 1,5°C	+/- 1°C
V164	1442	654	689	61	122W	0,53A	0,6 kwh	230	+10/-10	50	R134A	0°C	35°C	+/- 1,5°C	+/- 1°C
V264	1742	654	689	68	122W	0,53A	0,7 kwh	230	+10/-10	50	R134A	0°C	35°C	+/- 1,5°C	+/- 1°C

### DUO - Ageing and service cabinets - 2 temperatures

Model n°	Dimensions(mm)			Weight in kg (empty)	Electrical power	Max. current**	Consumption over 24 h	Voltage (V)*	Voltage tolerance	Frequency (Hz) *	Gas	Operating limits		Regulation precision	Display precision
	H	W	D									Min. T.	Max. T.		
D164	1442	654	689	67	164W	1,13A	1,1 kwh	230	+10/-10	50	R134A	0°C	35°C	+/- 1,5°C	+/- 1°C
D264	1742	654	689	77	164W	1,13A	1,2 kwh	230	+10/-10	50	R134A	0°C	35°C	+/- 1,5°C	+/- 1°C

### EUROTHEQUE - Ageing and service cabinets - 3 temperatures

Model n°	Dimensions(mm)			Weight in kg (empty)	Electrical power	Max. current**	Consumption over 24 h	Voltage (V)*	Voltage tolerance	Frequency (Hz) *	Gas	Operating limits		Regulation precision	Display precision
	H	W	D									Min. T.	Max. T.		
E164	1442	654	689	71	167W	0,7A	0,7 kwh	230	+10/-10	50	R134A	12°C	25°C	+/- 1,5°C	+/- 1°C
E264	1742	654	689	79	167W	0,7A	0,8 kwh	230	+10/-10	50	R134A	12°C	25°C	+/- 1,5°C	+/- 1°C

### SERVITHEQUE - Service cabinets - Multi-temperature

Model n°	Dimensions(mm)			Weight in kg (empty)	Electrical power	Max. current**	Consumption over 24 h	Voltage (V)*	Voltage tolerance	Frequency (Hz) *	Gas	Operating limits		Regulation precision	Display precision
	H	W	D									Min. T.	Max. T.		
S064	874	654	689	45	137W	0,6A	0,6 kwh	230	+10/-10	50	R134A	12°C	35°C	+/- 1,5°C	+/- 1°C
S164	1442	654	689	60	167W	0,7A	0,7 kwh	230	+10/-10	50	R134A	12°C	35°C	+/- 1,5°C	+/- 1°C
S264	1742	654	689	68	167W	0,7A	0,8 kwh	230	+10/-10	50	R134A	12°C	35°C	+/- 1,5°C	+/- 1°C

\* These values may vary according to country. Consult the identification label for your cabinet's specific characteristics (n°7 page 2).

\*\* Current reaches a peak of about 5A when the compressor starts up.

These cabinets meet: **EN60335** standards and are **CE** certified

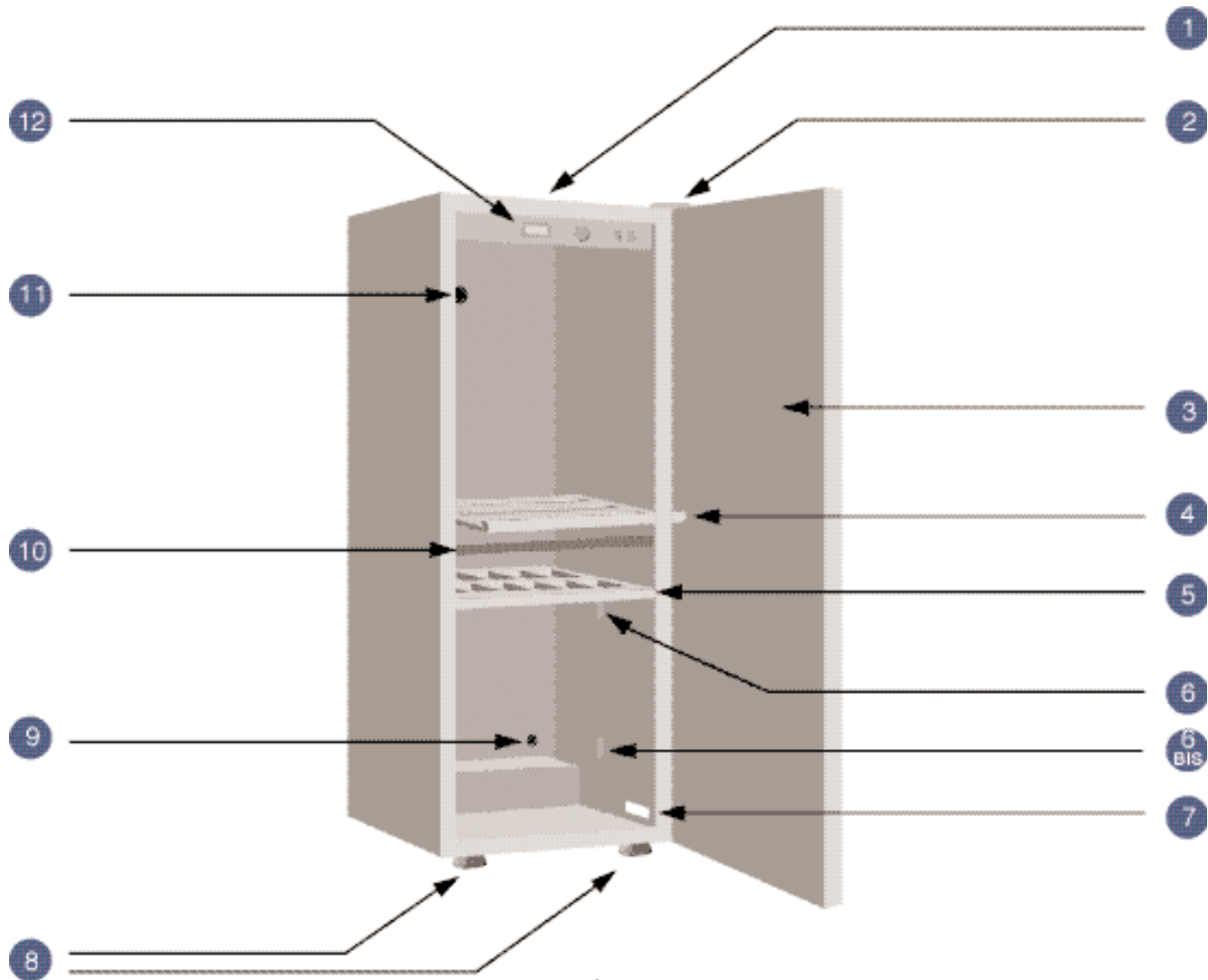


## UTILISATION

*de votre armoire à vins*

## Sommaire

	<b>1 - Descriptif de votre armoire à vins</b>	<b>p. 2-3</b>
	<b>2 - Consignes de sécurité importantes</b>	<b>p. 4</b>
	<b>3 - Alimentation électrique</b>	<b>p. 4</b>
	<b>4 - Installation de votre armoire à vins</b>	<b>p. 5</b>
	<b>5 - Mise en service - Réglages de températures</b>	<b>p. 6</b>
	1. Vieillithèques - 1 Température	p. 7
	2. Duos - 2 Températures	p. 8
	3. Eurothèques - 3 Températures	p. 9
	4. Servithèques - Multi-températures	p. 10
	<b>6 - Option électronique</b>	<b>p. 11-12</b>
	<b>7 - Aménagement - Rangement</b>	<b>p. 13-14-15</b>
	<b>8 - Entretien courant</b>	<b>p. 16</b>
	<b>9 - Anomalies de fonctionnement</b>	<b>p. 17</b>
	<b>10- Caractéristiques techniques</b>	<b>p. 18</b>



# 1 - Descriptif de votre armoire à vins



- 1 Coffre d'armoire
- 2 Charnière (avec cache)
- 3 Porte
- 4 Clayette coulissante
- 5 Clayette de stockage
- 6 Emplacement des sondes des Vieillithèques, Duos et Eurothèques
- 6 BIS Emplacement des sondes des Duos et Servithèques
- 7 Étiquette signalétique
- 8 2 pieds avant réglables en hauteur
- 9 Trou d'aération libre
- 10 Raidisseur de coffre (ne jamais déplacer cave chargée)
- 11 Trou d'aération + Filtre à charbon actif
- 12 Bandeau de contrôle et de réglage des températures

## 2 - Consignes de sécurité importantes



### AVERTISSEMENT

**Lorsque vous utilisez l'armoire à vins, observez toujours certaines précautions de base, notamment :**

*N'utilisez l'armoire à vins que pour l'usage prévu, comme décrit dans le présent guide.*

*Ne débranchez jamais l'armoire à vins en tirant sur le cordon d'alimentation. Saisissez fermement la fiche du cordon et tirez droit pour la retirer de la prise.*

*Réparez ou remplacez immédiatement tout cordon effiloché ou endommagé. N'utilisez pas un cordon fendillé ou présentant des signes d'usure sur la longueur ou aux extrémités.*

*Ne laissez pas les enfants grimper, s'asseoir, se tenir debout ni se pendre aux clayettes de l'armoire à vins. Ils pourraient endommager l'armoire à vins et se blesser gravement.*

*Prendre soin de toujours mettre les clés hors de portée des enfants, pour éviter qu'ils ne s'enferment.*

## 3 - Alimentation électrique



**POUR VOTRE SÉCURITÉ PERSONNELLE, L'ARMOIRE À VINS DOIT ÊTRE CORRECTEMENT MISE À LA TERRE.**

*Le cordon d'alimentation de l'armoire à vins est muni d'une fiche à brancher dans une prise standard mise à la terre pour prévenir tout risque de choc électrique.*

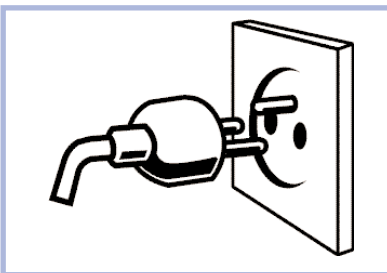
*Faites vérifier la prise secteur par un électricien qualifié pour vous assurer qu'elle est bien mise à la terre.*

*Dans le cas contraire, il vous incombe de la faire remplacer par une prise correctement mise à la terre.*

*Si le cordon d'alimentation est endommagé, faites-le remplacer par un électricien qualifié pour éviter tout risque.*

*Dans le cas d'une prise murale sans mise à la terre, il est de votre responsabilité et de votre devoir de la faire remplacer par une prise murale correctement mise à la terre.*

*Si la fiche ne convient pas à votre prise, vous pouvez en installer une autre. **IMPORTANT** : la réinstallation des fiches électriques et des câbles doit être faite par un électricien qualifié.*



**Assurez-vous que la prise est bien mise à la terre et que votre installation est protégée par un disjoncteur différentiel.**



## 4 - Installation de votre armoire à vins

- Lors de la livraison de votre appareil, assurez-vous, après déballage, que votre armoire ne présente aucun défaut d'aspect extérieur (choc, déformation,...).
- Ouvrez la porte et vérifiez l'intégrité de l'intérieur de votre appareil (parois, clayettes, charnières, bandeau de contrôle,...).
- Transportez alors votre armoire vers l'emplacement que vous lui avez choisi. Cet emplacement devra :
  - être ouvert sur l'extérieur pour ménager une circulation d'air (pas de placard fermé,...)
  - être éloigné d'une source de chaleur
  - ne pas être trop humide (lingerie, buanderie, salle de bains,...)
  - avoir un sol stable et plan
  - disposer d'une alimentation électrique (prise standard, 230V, 50/60Hz, 16A, reliée à la terre avec disjoncteur différentiel)
- Collez sur le support du compresseur, le bac de récupération d'eau, en le plaçant sous le petit tuyau sortant du coffre, la partie la plus profonde du bac se trouvant sous ce tuyau.
- Dégagez le cordon secteur pour qu'il soit accessible et positionnez votre appareil en ménageant un espace de 8 à 10 cm entre le mur et la paroi arrière de votre cave.
- Procédez au réglage des pieds avant de l'armoire (réglage par vissage ou dévissage), de manière à mettre votre armoire de niveau (utilisation d'un niveau à bulle recommandée).
- Enlevez les éléments de protection disposés à l'intérieur de votre armoire.
- Enlevez les protections en papier situées sur le filtre à charbon que vous trouverez dans la pochette «accessoires» de votre cave, et positionnez ce filtre en le rentrant par l'intérieur de votre cave, dans le trou d'aération situé en haut à gauche de la cave.
- Organisez la disposition de vos étagères à votre convenance (voir chap. 7 de ce document).
- Attendre **48H00** avant tout branchement afin de laisser reposer les fluides.

**NB: Lors de tout déplacement de votre armoire, ne pas l'incliner à plus de 45°, et toujours sur la face latérale côté sortie cordon.**

## 5 - Mise en service - Réglages de températures



- **Après avoir attendu 48H00, raccordez votre armoire sur le secteur**, après avoir vérifié que votre prise était bien alimentée (vérifiez la présence des fusibles et leurs ampérages, disjoncteur en état, branchez au besoin un autre appareil électrique pour vérifier l'alimentation).

- Une fois votre appareil relié au secteur, assurez-vous que l'interrupteur marche-arrêt situé à l'extrême droite du bandeau de contrôle de votre armoire est bien sur la position "marche" ( I ).



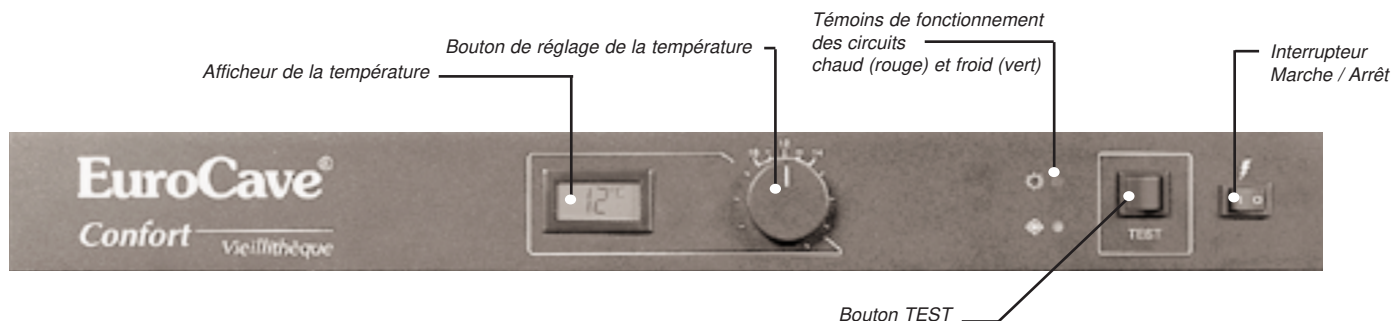
- Au moment du branchement de votre armoire à vins, si l'interrupteur est bien sur la position "marche" (voir schéma ci-dessus) et que la température demandée est inférieure à la température ambiante, le témoin vert de fonctionnement du circuit froid s'allume (sauf si votre armoire est de type vieillithèque - 1 température, et qu'elle est placée dans un local dont la température est inférieure à 12°C).

**En cas d'anomalie, reportez-vous au chapitre 9.**



## RÉGLAGES DE TEMPÉRATURES DES MODÈLES DE TYPE VIEILLITHEQUE (1 Température)

Le réglage de la température de votre armoire à vins s'effectue entièrement depuis le bandeau de contrôle qui se présente de la façon suivante :



**Afficheur de température :** Affiche la température effective à l'intérieur de votre armoire à vins.

**Bouton de réglage :** Permet de sélectionner la température désirée à l'intérieur de l'armoire.

**Témoins de fonctionnement :**

Permettent de visualiser le fonctionnement des circuits chaud (rouge) ou froid (vert).

**Bouton TEST :**

Permet de tester le fonctionnement des circuits de votre armoire (voir chapitre 9).

### Pour régler la température de votre Vieillithèque :

Tournez le bouton de réglage de la température jusqu'à amener le repère doré sur la température que vous souhaitez à l'intérieur de votre armoire.

**ATTENTION :** Pour fonctionner correctement votre armoire doit être placée dans une pièce dont la température sera comprise entre 0 et 35°C. A défaut, il sera plus difficile d'obtenir la température désirée.

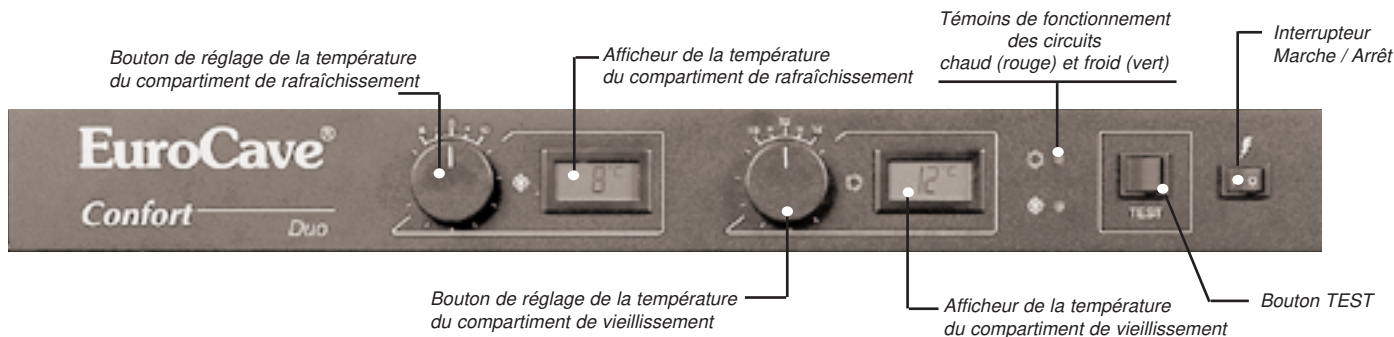
Plage de réglage conseillée : 10 à 14°C .

Il se peut que malgré le respect des consignes de ce manuel vous n'obteniez pas tout à fait la température désirée. En effet chaque cas est unique, et il se peut que quelques légères corrections de consigne soient nécessaires.



## RÉGLAGES DES TEMPÉRATURES DES MODÈLES DE TYPE DUO (2 Températures)

Le réglage des températures de votre armoire à vins s'effectue entièrement depuis le bandeau de contrôle qui se présente de la façon suivante :



**Afficheurs de températures :** Affichent les différentes températures à l'intérieur de votre armoire à vins.

**Boutons de réglage :** Permettent de sélectionner les températures désirées à l'intérieur de l'armoire.

**Témoins de fonctionnement :** Permettent de visualiser le fonctionnement des circuits chaud (rouge) ou froid (vert).

**Bouton TEST :** Permet de tester le fonctionnement des circuits de votre armoire (voir chapitre 9).

### Pour régler les températures de votre Duo :

Tournez le bouton de réglage de la température du compartiment de rafraîchissement (bouton de gauche), jusqu'à amener le repère doré sur la température que vous souhaitez dans le compartiment inférieur (rafraîchissement) de votre armoire.



Plage de réglage conseillée : 6 à 10°C

Dans tous les cas, l'écart de la température réglée dans les compartiments de rafraîchissement et de vieillissement, ne doit être supérieur à 6°C (ex : si le compartiment de rafraîchissement est réglé à 6°C, celui du vieillissement ne pourra être au-delà de 12°C). De même, cet écart ne doit pas être inférieur à 2°C (ex : si le compartiment de rafraîchissement est réglé à 10°C, celui du vieillissement ne pourra être en-deçà de 12°C). Lors de modifications significatives des températures de consigne, plusieurs heures peuvent être nécessaires à votre armoire à vins pour se stabiliser et afficher les températures souhaitées.

**Pour fonctionner correctement, une armoire de type Duo doit être placée dans un local dont la température est comprise entre 0 et 35°C. Il se peut que malgré le respect des consignes de ce manuel vous n'obteniez pas tout à fait la température désirée. En effet chaque cas est unique, et il se peut que quelques légères corrections de consigne soient nécessaires.**

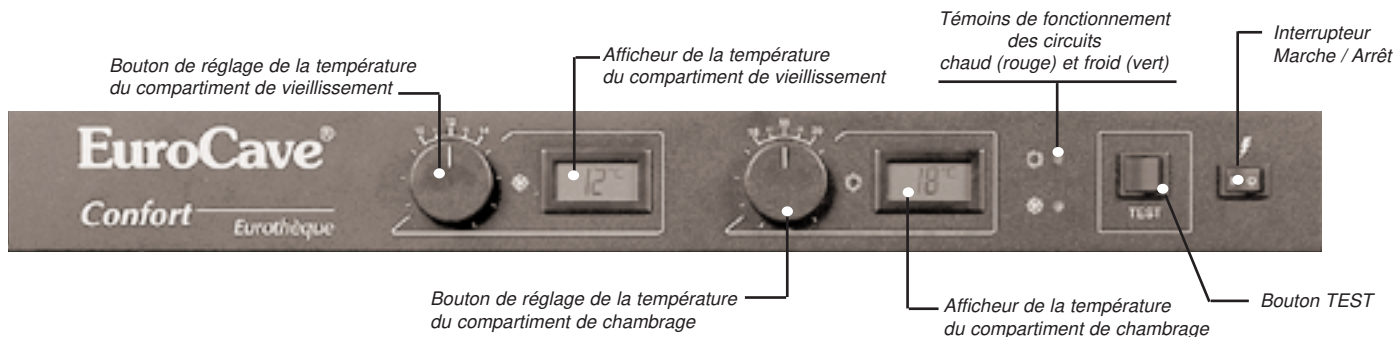
Tournez le bouton de réglage de la température du compartiment de vieillissement (bouton de droite), jusqu'à amener le repère doré sur la température que vous souhaitez dans le compartiment principal de votre armoire.



Plage de réglage conseillée : 10 à 14°C

## RÉGLAGES DES TEMPÉRATURES DES MODÈLES DE TYPE EUROTHÈQUE (3 Températures)

Le réglage des températures de votre armoire à vins s'effectue entièrement depuis le bandeau de contrôle qui se présente de la façon suivante :



**Afficheurs de températures :** Affichent les différentes températures à l'intérieur de votre armoire à vins.

**Boutons de réglage :** Permettent de sélectionner les températures désirées à l'intérieur de l'armoire.

**Témoins de fonctionnement :** Permettent de visualiser le fonctionnement des circuits chaud (rouge) ou froid (vert).

**Bouton TEST :** Permet de tester le fonctionnement des circuits de votre armoire (voir chapitre 9).

### Pour régler les températures de votre Eurothèque :

Tournez le bouton de réglage de la température du compartiment de vieillissement (bouton de gauche), jusqu'à amener le repère doré sur la température que vous souhaitez dans le compartiment central de votre armoire.

Plage de réglage conseillée : 10 à 14°C



Tournez le bouton de réglage de la température du compartiment de chambrage (bouton de droite), jusqu'à amener le repère doré sur la température que vous souhaitez dans le compartiment supérieur (chambrage) de votre armoire.

Plage de réglage conseillée : 16 à 20°C

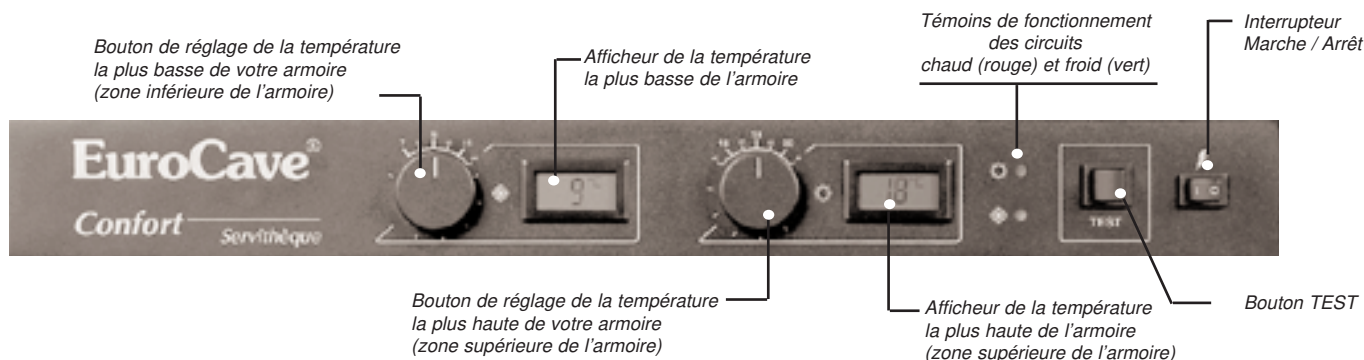


Les modèles de type Eurothèque sont des armoires dont la température du compartiment de rafraîchissement est induite par la température demandée dans le compartiment de vieillissement. C'est pourquoi, si l'on désire obtenir une température inférieure à 8°C dans ce compartiment de rafraîchissement, il faudra régler une température inférieure à 12°C (10°C environ) dans la zone de vieillissement. Pour la zone de chambrage, il est impossible d'obtenir moins de 17°C pour les modèles équipés de portes vitrées.

**Il se peut que malgré le respect des consignes de ce manuel vous n'obteniez pas tout à fait la température désirée. En effet chaque cas est unique, et il se peut que quelques légères corrections de consigne soient nécessaires. Pour fonctionner correctement, une armoire de type Eurothèque doit être placée dans un local dont la température est comprise entre 12 et 25°C.**

## RÉGLAGES DES TEMPÉRATURES DES MODÈLES DE TYPE SERVITHÈQUE (multi-températures)

Le réglage des températures de votre armoire à vins s'effectue entièrement depuis le bandeau de contrôle qui se présente de la façon suivante :



**Afficheurs de températures :** Affichent les différentes températures à l'intérieur de votre armoire à vins.

**Boutons de réglage :** Permettent de sélectionner les températures désirées à l'intérieur de l'armoire.

**Témoins de fonctionnement :**

Permettent de visualiser le fonctionnement des circuits chaud (rouge) ou froid (vert)

**Bouton TEST :**

Permet de tester le fonctionnement des circuits de votre armoire (voir chapitre 9)

### Pour régler les températures de votre Servithèque :

Tournez le bouton de réglage de la température la plus basse (bouton de gauche), jusqu'à amener le repère doré sur la température la plus faible que vous souhaitez obtenir dans votre armoire (cette température sera obtenue dans la zone basse de l'armoire).

Plage de réglage conseillée : 7 à 12°C



Tournez le bouton de réglage de la température la plus haute (bouton de droite), jusqu'à amener le repère doré sur la température la plus forte que vous souhaitez obtenir dans votre armoire (cette température sera obtenue dans la partie haute de l'armoire).

Plage de réglage conseillée : 15 à 21°C

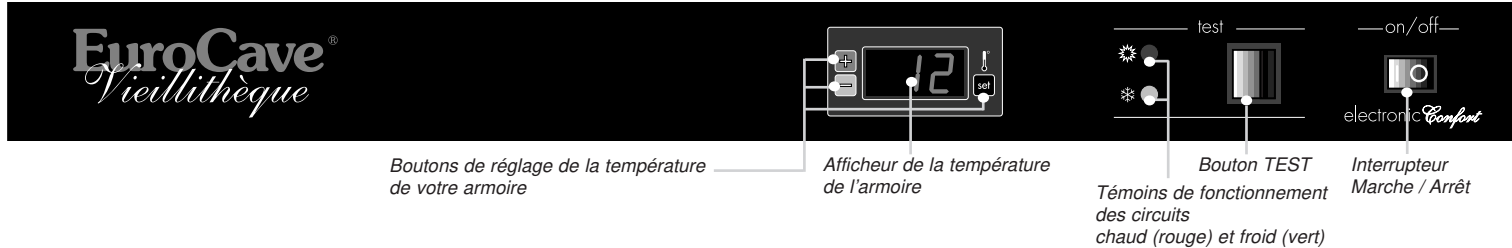


**Il se peut que malgré le respect des consignes de ce manuel vous n'obteniez pas tout à fait la température désirée. En effet chaque cas est unique, et il se peut que quelques légères corrections de consigne soient nécessaires. Pour fonctionner correctement, une armoire de type Servithèque doit être placée dans un local dont la température est comprise entre 12 et 35°C.**

# 6 - Option électronique



## RÉGLAGES DES TEMPÉRATURES DES MODÈLES DE TYPE VIEILLITHÈQUE (1 température)



**Le réglage des températures de votre armoire à vins s'effectue entièrement depuis le bandeau de contrôle qui se présente de la façon suivante :**



**1 Appuyez** sur la touche de droite "SET" pendant environ 2 secondes. Le mot "SET" apparaît alors sur l'afficheur.

**2 Appuyez** une nouvelle fois rapidement sur la touche SET. La consigne est alors visualisée (un petit point clignote en haut à gauche des chiffres).

**3** Quand ce point clignote, vous avez 10 secondes pour modifier la consigne en appuyant sur les touches + et - sinon l'affichage revient automatiquement à l'affichage de la mesure.

Plage de réglage conseillée : 10° à 14°C

**4** Une fois le réglage terminé, attendre environ 10 secondes et l'affichage reviendra à la mesure, le petit point s'éteint.

La consigne par défaut est de 12°C (température idéale de conservation). En revanche, cette consigne peut être réglée entre 9 et 15°C. Au delà de ces deux limites, les deux touches + et - deviennent inopérantes.

*Lors de modifications significatives des températures de consigne, plusieurs heures peuvent être nécessaires à votre armoire à vins pour se stabiliser et afficher les températures souhaitées.*

## RÉGLAGES DES TEMPÉRATURES DES MODÈLES DE TYPE DUO (2 températures)



Afficheur de la température du compartiment de rafraîchissement (vert)  
(compartiment inférieur de l'armoire)

Afficheur de la température du compartiment de vieillissement (rouge)  
(compartiment principal de l'armoire)

### Le réglage des températures de votre armoire à vins de type Duo s'effectue de la même manière que celui des Vieillithèques citées ci-dessus.

Plage de réglage conseillée pour la température du compartiment de rafraîchissement : 6 à 10°C

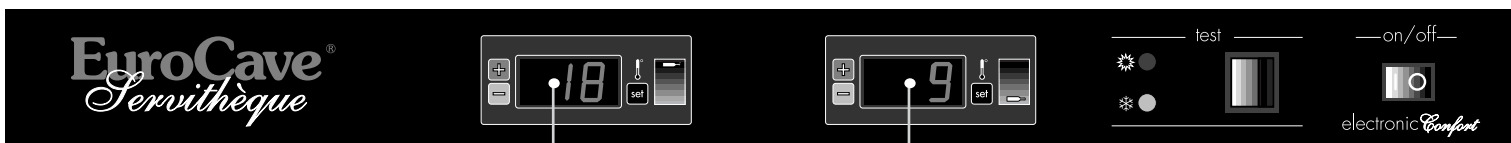
Plage de réglage conseillée pour la température du compartiment de vieillissement : 10 à 14°C

Pour le compartiment de rafraîchissement, la consigne par défaut est de 8°C (température idéale de rafraîchissement). En revanche, cette consigne peut être réglée entre 5 et 12°C. Au delà de ces deux limites, les deux touches **+** et **-** deviennent inopérantes.

Pour le compartiment de vieillissement, la consigne par défaut est de 12°C (température idéale de vieillissement). En revanche, cette consigne peut être réglée entre 9 et 16°C. Au delà de ces deux limites, les deux touches **+** et **-** deviennent inopérantes.

*Dans tous les cas, l'écart de la température réglée dans les compartiments de rafraîchissement et de vieillissement, ne doit être supérieur à 6°C (ex : si le compartiment de rafraîchissement est réglé à 6°C, celui du vieillissement ne pourra être au-delà de 12°C). De même, cet écart ne doit pas être inférieur à 2°C (ex : si le compartiment de rafraîchissement est réglé à 10°C, celui du vieillissement ne pourra être en-deçà de 12°C).*

## RÉGLAGES DES TEMPÉRATURES DES MODÈLES DE TYPE SERVITHÈQUE (multi-températures)



Afficheur de la température la plus haute de l'armoire (rouge)  
(zone supérieure de l'armoire)

Afficheur de la température la plus basse de l'armoire (vert)  
(zone inférieure de l'armoire)

### Le réglage des températures de votre armoire à vins de type Servithèque s'effectue de la même manière que celui des Vieillithèques citées au-dessus.

Plage de réglage conseillée pour la température la plus haute : 15 à 21°C.

Plage de réglage conseillée pour la température la plus basse : 7 à 12°C.

Pour la température la plus haute, la consigne par défaut est de 17°C. En revanche, cette consigne peut être réglée entre 15 et 22°C. Au delà de ces deux limites, les deux touches **+** et **-** deviennent inopérantes.

Pour la température la plus basse, la consigne par défaut est de 7°C. En revanche, cette consigne peut être réglée entre 5 et 12°C. Au delà de ces deux limites, les deux touches **+** et **-** deviennent inopérantes.

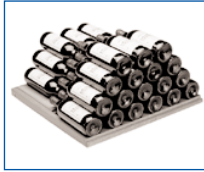
*Lors de modifications significatives des températures de consigne, plusieurs heures peuvent être nécessaires à votre armoire à vins pour se stabiliser et afficher les températures souhaitées.*



## 7 - Aménagement - Rangement

- Votre armoire EuroCave a été étudiée pour être évolutive. Elle permet selon son type de s'adapter à vos besoins et d'évoluer en matière de rangement:

### DIFFÉRENTS TYPES DE RANGEMENT



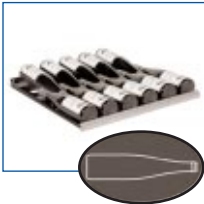
Clayette de stockage  
Bordelaise Ref : **AXB**

Capacité : 78 bouteilles  
Poids maxi : 100 kg



Clayette de stockage  
Universelle Ref : **AXU**

Capacité : 77 bouteilles  
Poids maxi : 100 kg



Clayette coulissante  
Rhénane Ref : **ACR**

Capacité : 11 bouteilles  
Poids maxi : 25 kg



Kit de présentation  
Ref : **AXK**

Capacité : 33 bouteilles  
Poids maxi :  
clayette inférieure 20 kg  
clayette supérieure 10 kg



Clayette coulissante  
Bordelaise Ref : **AXC**

Capacité : 13 bouteilles  
Poids maxi : 25 kg



Clayette coulissante  
Universelle Ref : **ABC**

Capacité : 12 bouteilles  
Poids maxi : 25 kg

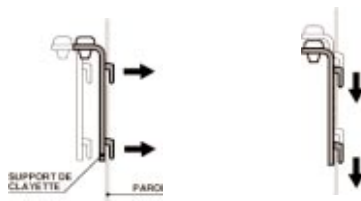


Clayette coulissante  
Magnum Ref : **ACG**

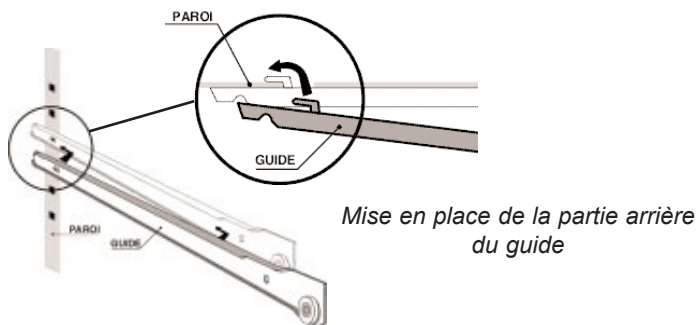
Capacité : 7 bouteilles  
Poids maxi : 25 kg

## Fixation des supports de clayettes (à lire avec attention si vous désirez modifier l'aménagement de votre armoire)

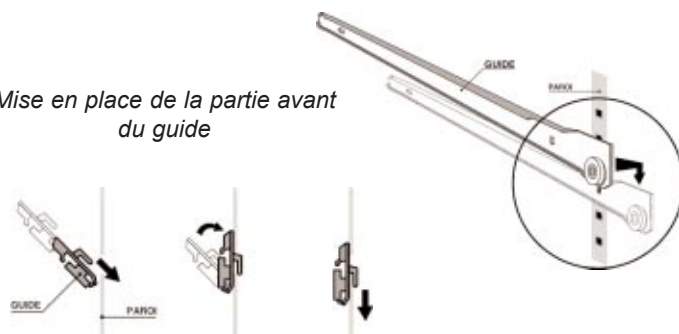
Pour changer une clayette de stockage d'emplacement, procédez tout d'abord au déchargement complet de celle-ci, puis déplacez les supports de clayettes en prenant soin de les refixer comme ci-dessous :



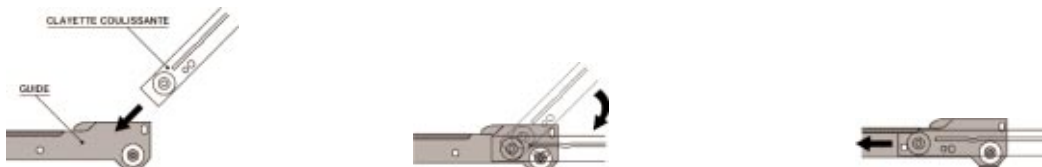
Pour changer une clayette coulissante d'emplacement, procédez tout d'abord au déchargement complet de celle-ci. Enlevez ensuite le plateau coulissant en le faisant glisser vers vous tout en soulevant la partie avant. Enlevez les guides coulissants des parois en repérant le guide de droite et le guide de gauche, puis procédez à leur réinstallation comme ci-dessous :



Mise en place de la partie avant du guide



Procédez ensuite à la remise en place du tiroir coulissant comme ci-dessous :





Votre armoire à vins EuroCave a été étudiée pour recevoir en toute sécurité un nombre maximal de bouteilles. Nous vous conseillons de respecter les quelques conseils qui suivent afin d'optimiser son chargement.

- Veillez à répartir vos bouteilles de la façon la plus homogène possible sur les différentes clayettes que comporte votre armoire, afin de répartir le poids en plusieurs endroits. Veillez également à ce que vos bouteilles **ne touchent pas la paroi du fond de l'armoire.**
- Veillez à répartir également de façon homogène sur toute la hauteur de l'armoire à vins (proscrire les chargements du type toutes les bouteilles en haut, ou toutes les bouteilles en bas).
- Bien respecter les consignes de chargement énoncées au chapitre 7 selon le type de rangement dont est équipée votre armoire, et ne jamais empiler de bouteilles sur une clayette coulissante.
- Si vous disposez de clayettes coulissantes, positionnez-les de préférence en partie supérieure de votre armoire pour en faciliter l'accès quotidien.
- De même, **disposez une ou deux bouteilles de chacun de vos différents vins sur les clayettes coulissantes et gardez votre réserve sur les clayettes de stockage. Vous n'aurez plus qu'à compléter en cas de consommation.**
- Lors de l'utilisation de votre armoire à vins, ne tirez jamais plus d'une clayette coulissante à la fois.

### ATTENTION !

**Ne jamais modifier la position du ou des raidisseurs équipant votre cave (voir descriptif pages 2 et 3) sans consulter auparavant votre revendeur, et ne jamais manœuvrer cette pièce alors que votre armoire est chargée.**

## 8 - Entretien courant



Votre armoire à vins EuroCave est un appareil au fonctionnement simple et éprouvé. Les quelques opérations d'entretien qui suivent vous permettront d'en obtenir une grande longévité.

- Chaque année, veillez à remplacer le filtre à charbon actif logé dans le trou d'aération supérieur de votre armoire (cet accessoire est disponible auprès de votre revendeur habituel).
- Dépoussiérez le condenseur (grille métallique située le long de la paroi arrière à l'extérieur de votre appareil) 2 fois par an.
- Lors du nettoyage de l'arrière de votre armoire, ou avant tout déplacement de celle-ci, s'assurer que la prise de courant a bien été débranchée.
- Effectuez une fois l'an un nettoyage complet de l'intérieur de votre armoire après l'avoir débranchée et déchargée (utiliser de l'eau et du produit nettoyant non agressif, puis rincez soigneusement).
- Pour procéder au remplacement de la (ou des) piles de l'(ou des) afficheur(s) de températures :  
Mettez l'interrupteur secteur sur la position "0" puis débranchez l'appareil avant de changer les piles des thermomètres.  
Retirez le ou les afficheur(s) à la main par l'avant du bandeau en procédant comme ci-dessous :



Piles de type :  
- Oxyde d'argent  
SR 44W (357)

A la suite du changement de pile, vérifiez que le boîtier de l'afficheur soit bien fermé, remettre le fil de la sonde à l'intérieur du bandeau, et reclipsez le boîtier de l'afficheur.

**Une surveillance régulière de votre appareil, et de tout ce qui peut vous paraître anormal assortie du signalement de cette anomalie éventuelle à votre revendeur, seront le gage d'une grande durée de vie de votre armoire à vins.**

# 9 - Anomalies de fonctionnement



## A LA MISE EN ROUTE

**Le compresseur ne fonctionne pas, alors que la température demandée est inférieure à la température ambiante .**

- 1-S'assurer de l'alimentation de la prise de courant en y connectant n'importe quel appareil électrique, et s'assurer que l'interrupteur marche/arrêt est bien sur la position 1.
- 2-Appuyez sur le bouton TEST et vérifiez que les 2 voyants (rouge et vert) s'allument.
- 3-Tournez le bouton de réglage du froid (ou l'unique réglage de température pour les armoires de type Vieillithèque) en butée dans le sens opposé des aiguilles d'une montre, et vérifiez que le voyant vert s'allume.
- 4-Si à la suite des étapes 2 ou 3, vous ne pouvez constater le démarrage effectif du compresseur, veuillez prendre contact avec votre revendeur.

**Le compresseur ne s'arrête jamais.**

- 1-Mettez la main sur le condenseur (grillage métallique situé le long de la paroi extérieure à l'arrière de votre appareil). Si le condenseur est froid , prenez contact avec votre revendeur.
- 2-Si le condenseur est chaud, procédez au réglage froid sur le repère le plus grand, vérifiez que le témoin de fonctionnement du circuit froid s'éteint, si le compresseur ne s'arrête pas débranchez l'appareil et prenez contact avec votre revendeur.

## EN FONCTIONNEMENT

**L'(es) indicateur(s), à cristaux liquides affiche(nt) une (des) température(s) inférieure(s) à celle(s) que vous avez demandée(s).**

- 1-Vérifiez les réglages des consignes de température (voir pages 7 à 10 de ce manuel).
- 2-Vérifiez que le témoin rouge de fonctionnement du circuit chaud est allumé.
- 3-Appuyez sur le bouton TEST, et vérifiez que les 2 voyants rouge et vert situés à droite du bandeau sont allumés. Si l'une des 2 étapes 2 ou 3 ne sont pas correctes, prenez contact avec votre revendeur.

**L'(es) indicateur(s), à cristaux liquides affiche(nt) une (des) température(s) supérieure(s) à celle(s) que vous avez demandée(s).**

- 1-Vérifiez les réglages des consignes de température (voir pages 7 à 10 de ce manuel).
- 2-Vérifiez que le témoin vert de fonctionnement du circuit froid est allumé.
- 3-Appuyez sur le bouton TEST, et vérifiez que les 2 voyants rouge et vert situés à droite du bandeau sont allumés. Si l'une des 2 étapes 2 ou 3 ne sont pas correctes, prenez contact avec votre revendeur.

Dans les 2 cas ci-dessus, si après rectification éventuelle des consignes, et vérification de l'allumage des témoins de fonctionnement des circuits, l'anomalie persiste, prenez contact avec votre revendeur.

**Attention :** Toute intervention sur le groupe froid, doit être effectuée par un frigoriste, qui devra réaliser avant remise en route un contrôle d'étanchéité du circuit. De même, toute intervention sur le circuit électrique devra être effectuée par un électricien.

**NB :** Dans tous les cas, si le fonctionnement de votre appareil vous paraît anormal, débranchez-le et prenez contact avec votre revendeur.

# 10 - Caractéristiques techniques



## VIELLITHÈQUES - Armoires de vieillissement - 1 température

Références	Dimensions(mm)			Poids en kg (vide)	Puissance électrique	Intensité maxi**	Consommation par 24h	Tension en Volt*	Tolérance tension	Fréquence Hz *	Gaz	Limites d'utilisations		Précision régulation	Précision affichage
	H	L	P									T° mini	T° maxi		
V064	874	654	689	45	92W	0,4A	0,5 kwh	230	+10/-10	50	R134A	0°C	35°C	+/- 1,5°C	+/- 1°C
V164	1442	654	689	61	122W	0,53A	0,6 kwh	230	+10/-10	50	R134A	0°C	35°C	+/- 1,5°C	+/- 1°C
V264	1742	654	689	68	122W	0,53A	0,7 kwh	230	+10/-10	50	R134A	0°C	35°C	+/- 1,5°C	+/- 1°C

## DUOS - Armoires de vieillissement et de service - 2 températures

Références	Dimensions(mm)			Poids en kg (vide)	Puissance électrique	Intensité maxi**	Consommation par 24h	Tension en Volt*	Tolérance tension	Fréquence Hz *	Gaz	Limites d'utilisations		Précision régulation	Précision affichage
	H	L	P									T° mini	T° maxi		
D164	1442	654	689	67	164W	1,13A	1,1 kwh	230	+10/-10	50	R134A	0°C	35°C	+/- 1,5°C	+/- 1°C
D264	1742	654	689	77	164W	1,13A	1,2 kwh	230	+10/-10	50	R134A	0°C	35°C	+/- 1,5°C	+/- 1°C

## EUROTHÈQUES - Armoires de vieillissement et de service - 3 températures

Références	Dimensions(mm)			Poids en kg (vide)	Puissance électrique	Intensité maxi**	Consommation par 24h	Tension en Volt*	Tolérance tension	Fréquence Hz *	Gaz	Limites d'utilisations		Précision régulation	Précision affichage
	H	L	P									T° mini	T° maxi		
E164	1442	654	689	71	167W	0,7A	0,7 kwh	230	+10/-10	50	R134A	12°C	25°C	+/- 1,5°C	+/- 1°C
E264	1742	654	689	79	167W	0,7A	0,8 kwh	230	+10/-10	50	R134A	12°C	25°C	+/- 1,5°C	+/- 1°C

## SERVITHÈQUES - Armoires de service - Multi-températures

Références	Dimensions(mm)			Poids en kg (vide)	Puissance électrique	Intensité maxi**	Consommation par 24h	Tension en Volt*	Tolérance tension	Fréquence Hz *	Gaz	Limites d'utilisations		Précision régulation	Précision affichage
	H	L	P									T° mini	T° maxi		
S064	874	654	689	45	137W	0,6A	0,6 kwh	230	+10/-10	50	R134A	12°C	35°C	+/- 1,5°C	+/- 1°C
S164	1442	654	689	60	167W	0,7A	0,7 kwh	230	+10/-10	50	R134A	12°C	35°C	+/- 1,5°C	+/- 1°C
S264	1742	654	689	68	167W	0,7A	0,8 kwh	230	+10/-10	50	R134A	12°C	35°C	+/- 1,5°C	+/- 1°C

\* Selon les pays, ces valeurs peuvent varier. Pour connaître les caractéristiques spécifiques de votre appareil, veuillez consulter l'étiquette signalétique (rep 7 p.2).

\*\* au démarrage du compresseur l'intensité du courant électrique atteint un pic d'environ 5A.

Ces appareils bénéficient du marquage **CE** et répondent à la norme : **EN60335**