



Manufactured in France

2 temperatures



Wine serving solution by the glass, free standing or built-in, conservation of opened bottles

Technical Specifications

Capacity 8 preserved bottles
+ 6 storage bottles

Functions

- Electronic regulation from 6 to 18°C/ 43-64°F
- 6°-15°C/43-59°F for white wines
- 12-18°C/54-64°F for red wines
- The bottles are preserved up to 10 days, thanks to an exclusive vacuum system (depending on the wine and its vintage)
- Red or with wine whatever the compartment

Design

- 2 full glass doors, with double safety lock
- Interior lighting with multicolour LED
- Both temperature settings from the right compartment
- Black tempered glass top

Equipment

- Excess condensation water collected in 2 drawers
- 2 adjustable feet
- 1 remote control for setting light

Regulation

- Thermal insulation and U.V. protection
- Frequency detector
- Air extraction fault warning indicators

Technologies	Production of cold air	Ventilated cold air /Compressor
	Production of warm air	Heater
	Heat activation	Automatic
	Leads	CE/US/UK/JA/C6/ CH/CN/AU
	Type of walls	ABS
	Type of external covering	Black metal
	Type of insulation	Polystyrene foam with
	Type of glass	UV protection



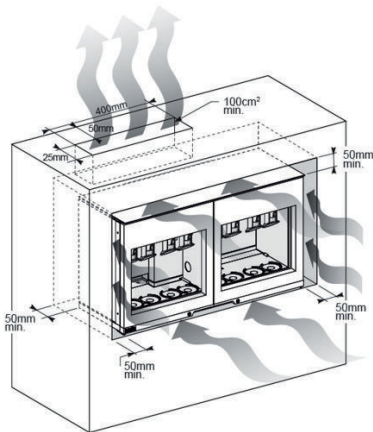
*Traditional Bordeaux format

General features

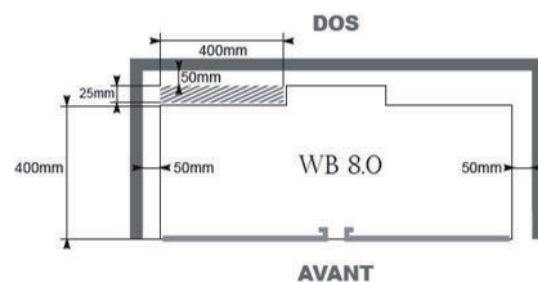
	Full Glass Door
Net Weight (kg)	85
Dimensions unpacked H x W x D (mm)	604 x 1076 x 480
Dimensions packaged H x W x D (mm)	800 x 1200 x 600
Color	Nero- RAL 9005
Electrical Power (at 25°C – 77°F)	75
Ambient temperature operating limits (C°/°F)	10 to 35 (50-95)

Conditions d'encastrement (précautions à respecter)

Front view



Top view



Wine Bar 8, in few words...

The solution that enhances the service of wine by the glass or bottle.

Wine Bar 8.0 contributes to the quality of service in the tradition of the greatest sommeliers. It keeps 8 bottles open without altering their organoleptic qualities. Optimize your wine by the glass sales.

