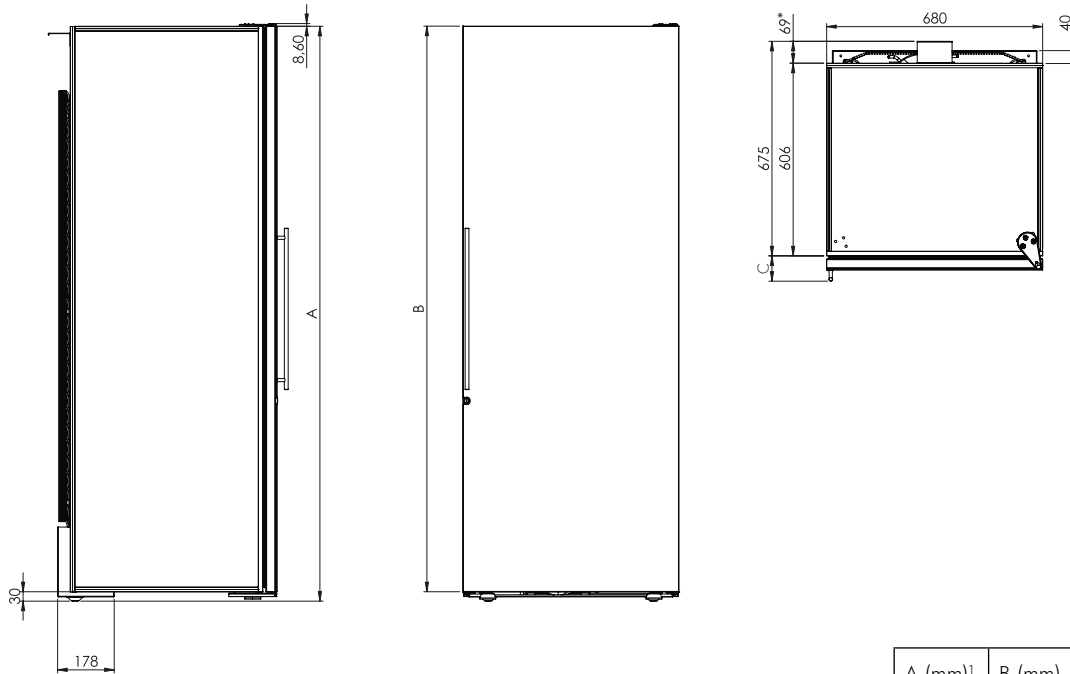


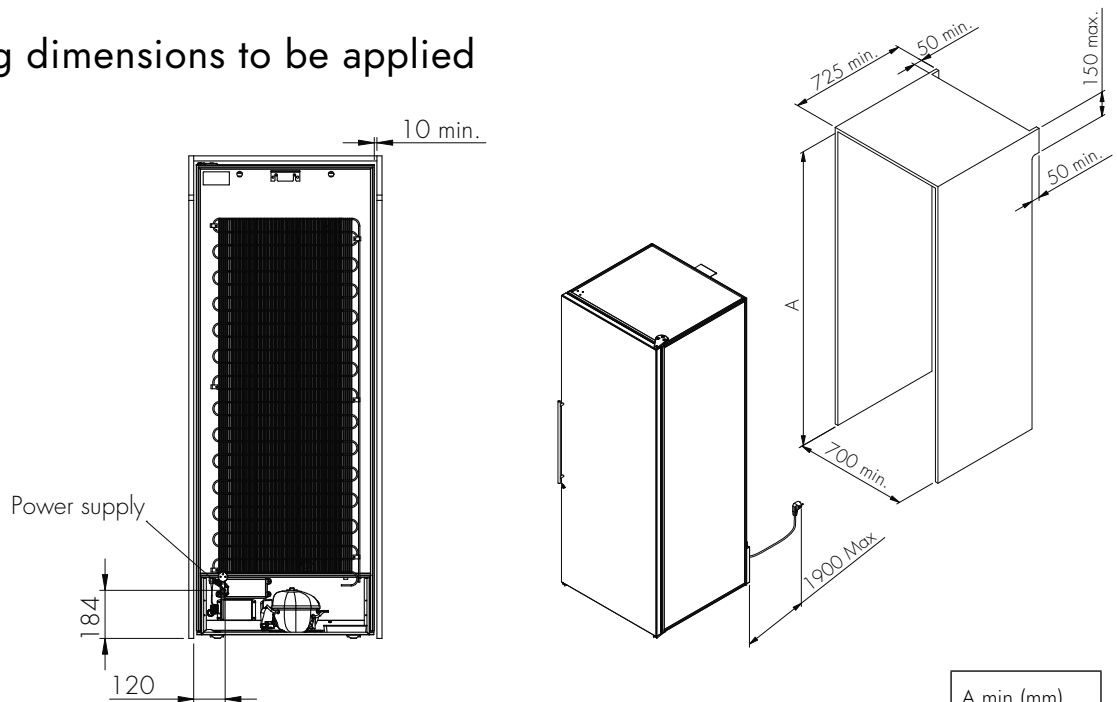
La Première, Pure, Revelation and the champagne cabinet dimensions



| | A (mm) ¹ | B (mm) | C (mm) with handle ² | |
|---|---------------------|-----------------------|---------------------------------|----|
| V-LAPREMIERE-L, S-LAPREMIERE-L, S-PURE-L, E-PURE-L, D-PURE-L, V-PURE-L, V-REVELL, V-CHAMP-L | 1810 | 1780 | Black Piano Door ³ | 75 |
| V-LAPREMIERE-M, V-PURE-M, S-PURE-M | 1464 | 1434 | Full Glass Door ³ | 75 |
| V-LAPREMIERE-S, V-PURE-S, S-PURE-S, V-REVEL-S, V-CHAMP-S | 945 | Glass door/Solid door | 48 | |

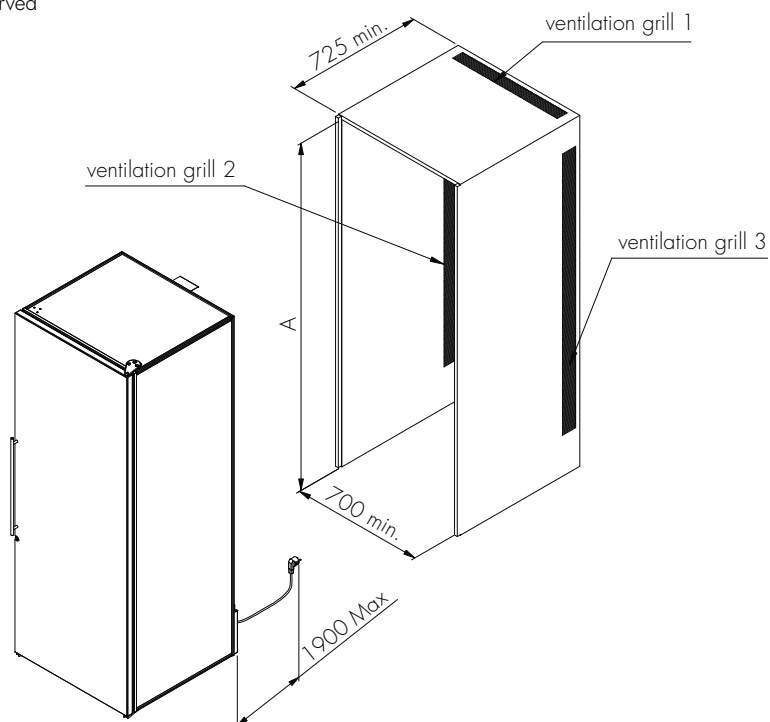
* Rear Stop. Space for ventilation at the rear of the cabinet = 29 mm. 1 Adjustable feet at the lowest position. 2 For Full Glass and Black Piano doors only: depth of the door without handle = 45mm / depth of the handle only = 30mm. 3 Only available on Pure and Revelation ranges.

Flush-fitting dimensions to be applied



| | A min (mm) |
|---|------------|
| V-LAPREMIERE-L, S-LAPREMIERE-L, S-PURE-L, E-PURE-L, D-PURE-L, V-PURE-L, V-REVELL, V-CHAMP-L | 1825 |
| V-LAPREMIERE-M, V-PURE-M, S-PURE-M | 1479 |
| V-LAPREMIERE-S, V-PURE-S, S-PURE-S, V-REVEL-S, V-CHAMP-S | 960 |

Dimensions and ventilation openings to be observed



| | A min (mm) | Ventilation grill 1 (cm ²) | Ventilation grill 2 (cm ²) | Ventilation grill 3 (cm ²) |
|--|------------|--|--|--|
| V-LAPREMIERE-L, S-LAPREMIERE-L, S-PURE-L, E-PURE-L, D-PURE-L, V-PURE-L, V-REVEL-L, V-CHAMP-L | 1825 | 350 | 750 | 750 |
| V-LAPREMIERE-M, V-PURE-M, S-PURE-M | 1479 | 350 | 600 | 600 |
| V-LAPREMIERE-S, V-PURE-S, S-PURE-S, V-REVEL-S, V-CHAMP-S | 960 | 350 | 350 | 350 |

Installation

Place your cabinet in the desired location.

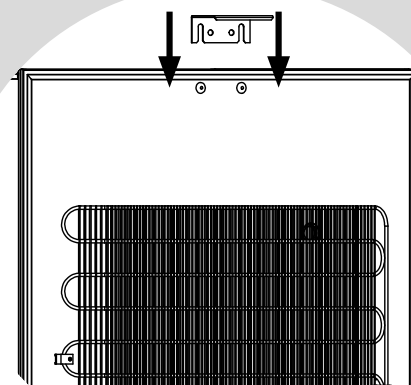
It must be open to the outside and well ventilated (not in an enclosed cupboard, for example), not be too damp (utility room, laundry room, bathroom...), have a flat, stable floor, be supplied with power (standard outlet, 16 A, earthed with 30mA* circuit breaker).

Take the lead (which you will find in your cabinet's "accessories" bag) and plug it into the socket, located at the back of the cabinet, on the bottom left-hand side (see diagram below). Wait 48hrs before switching on your cabinet.

Stop installation

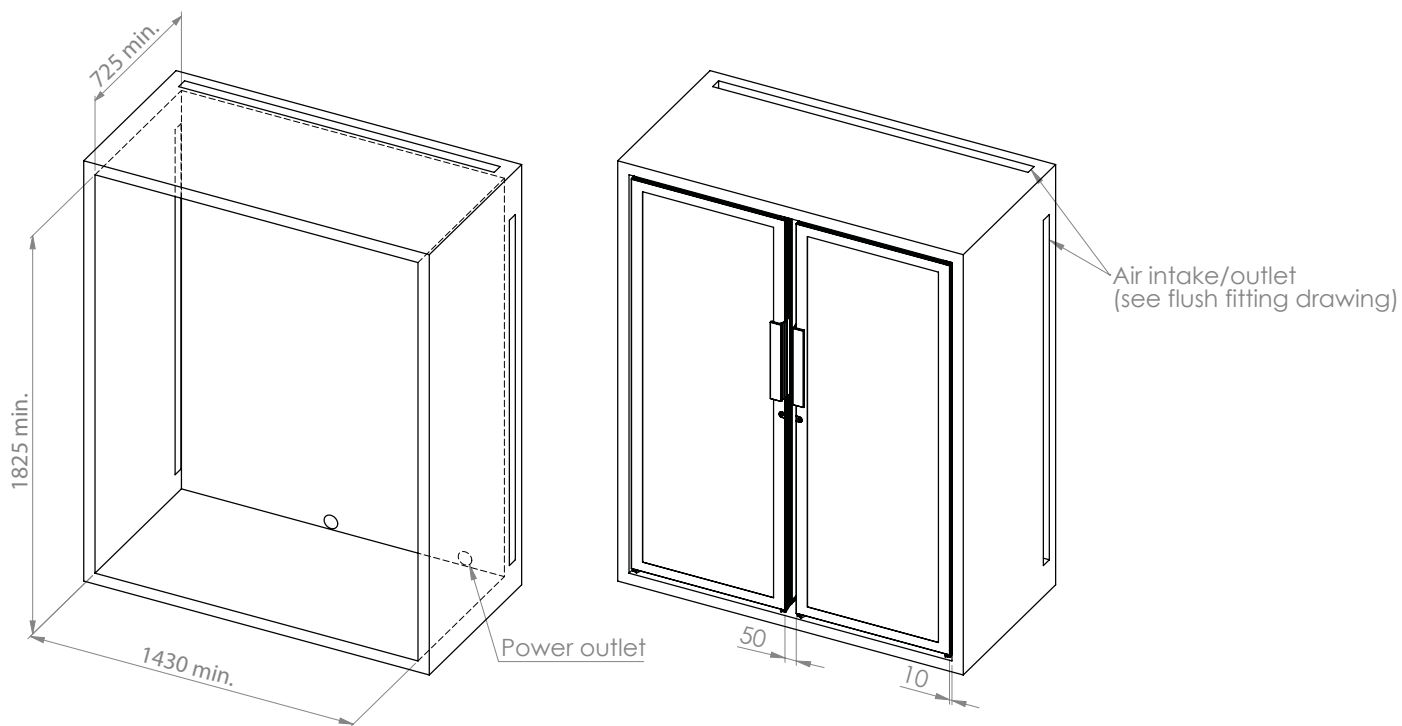
Install the stop (which is located in the accessories bag) at the back of the cabinet (see diagram). This allows a space of 7 cm to be maintained between the wall and the rear of the cabinet. This space allows your cabinet's power consumption to be optimised.

Place the 2 caps in the 2 holes at the top of the cabinet. Do not push the caps all the way in, allow the rear stop to be fitted. Slide the rear stop between the caps and the wall of the cabinet, then push the 2 caps all the way in.



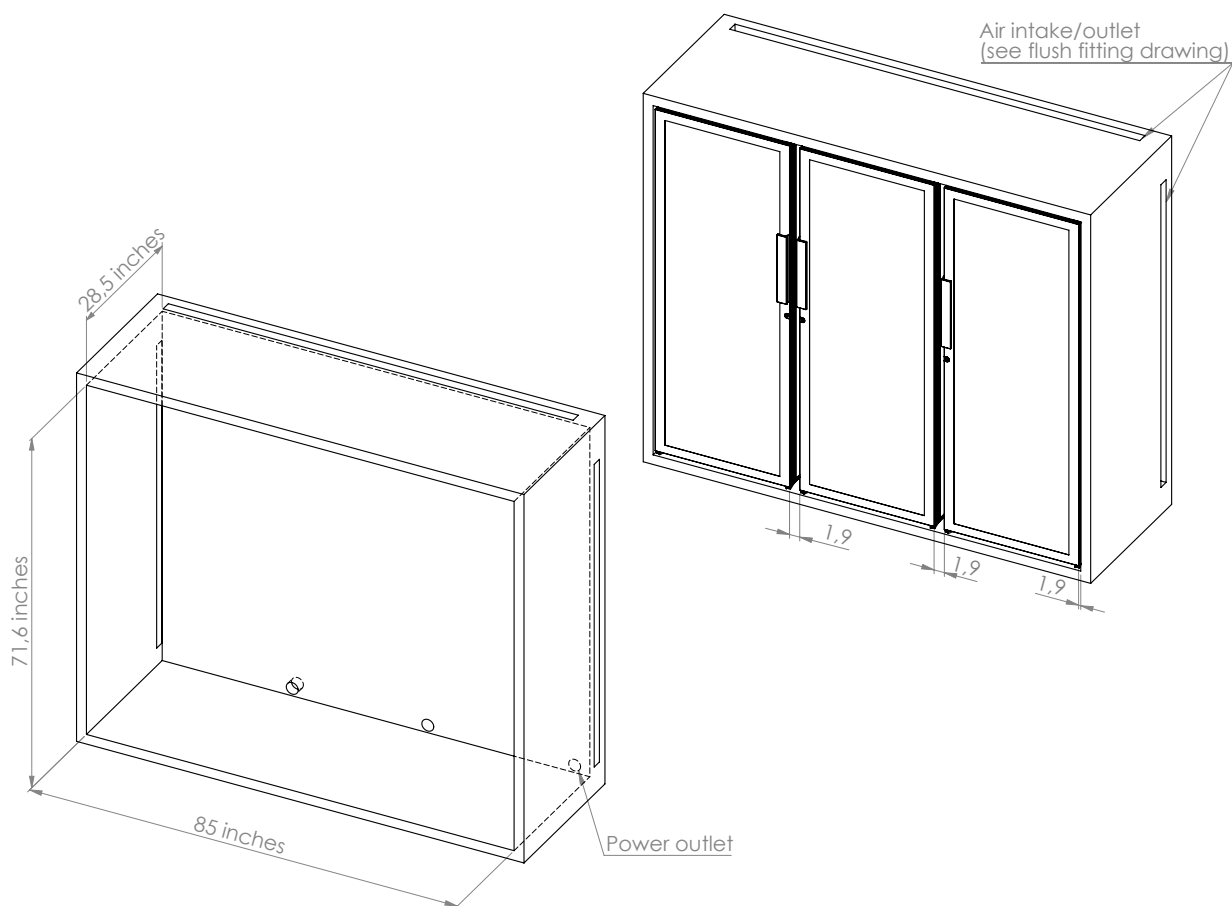
* not applicable to some countries.

Installing two Pure cabinets side by side



Please note: If installing two cabinets side by side, they must be separate by at least 5cm. This allows adequate circulation of air around the cabinets, ensuring that they function correctly.

Installing three Pure cabinets side by side



Please note: If installing three cabinets side by side, they must be separate by at least 5cm. This allows adequate circulation of air around the cabinets, ensuring that they function correctly.