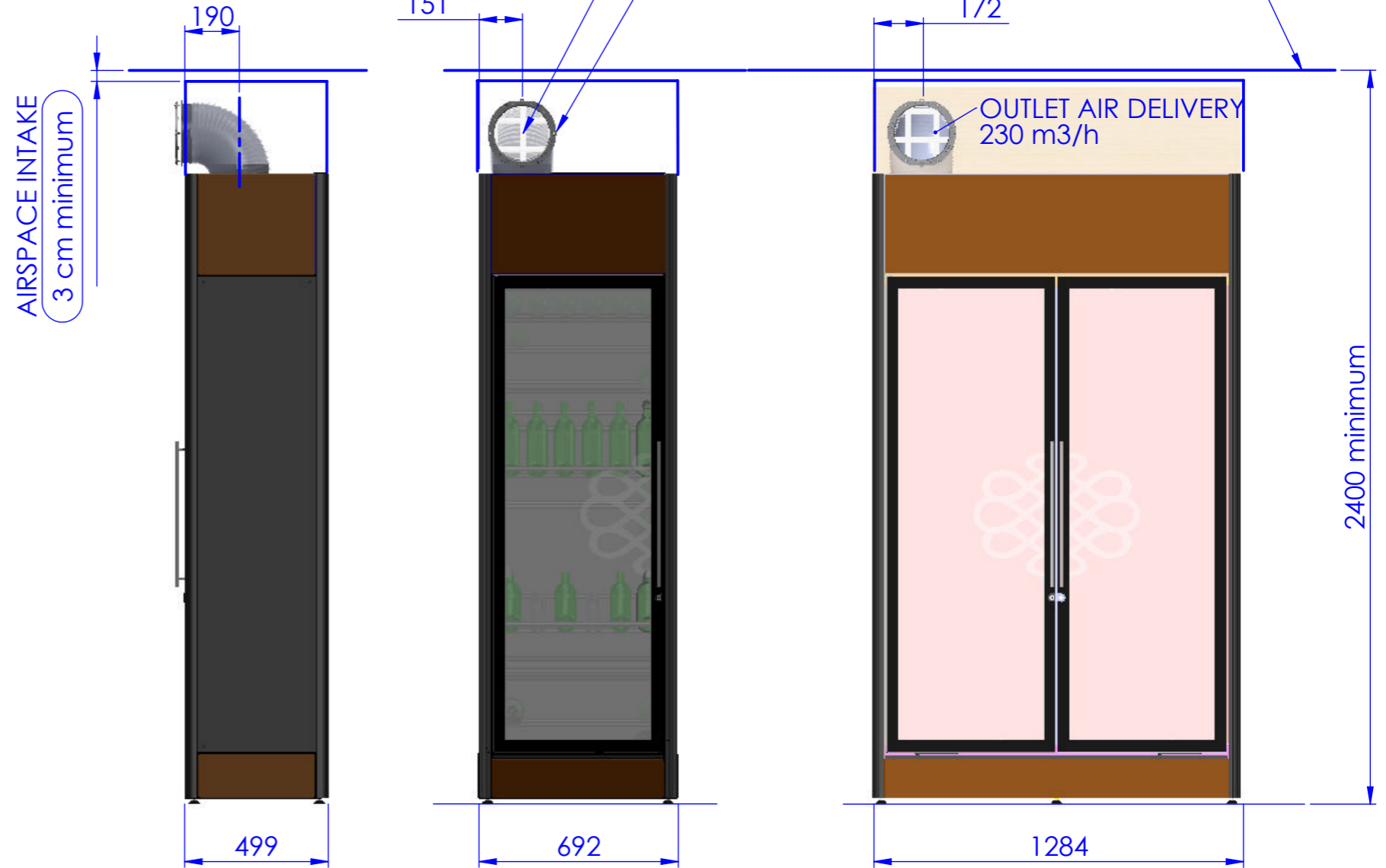
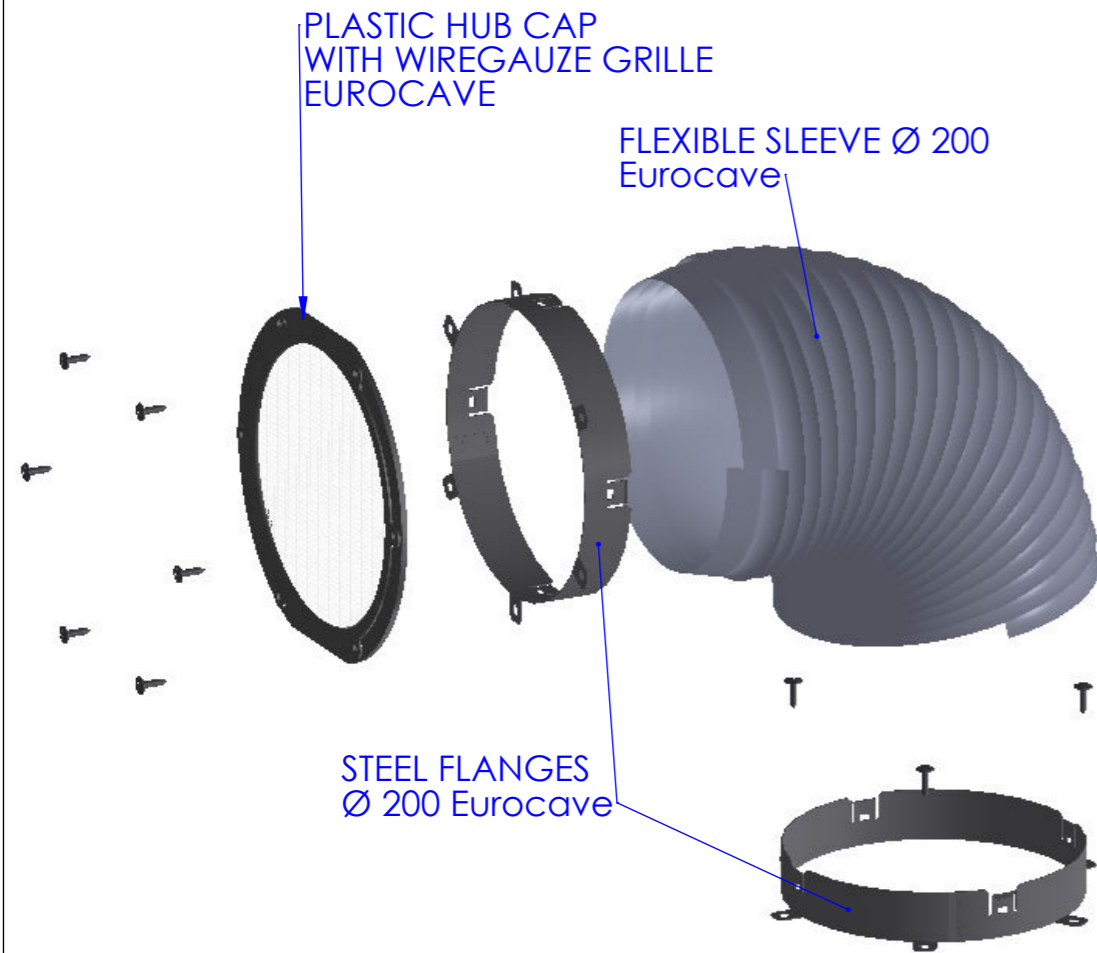


ADVISED BUILT-IN INSTALLATION

AIR OUTLET KIT

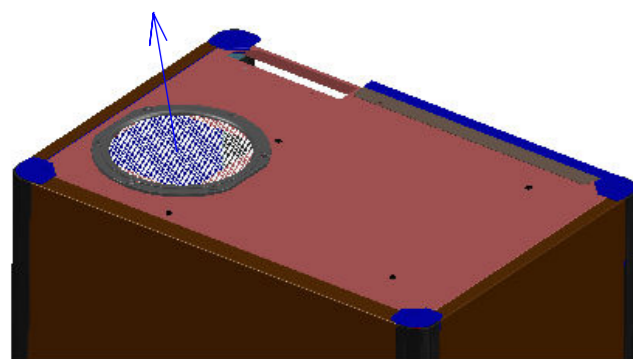


DIMENSIONS OF SHOWCAVE PUT TOGETHER WITH FIXING PLATE	LENGTH en mm
2 doors + 1 door	1992
2 doors + 2 doors	2584
1 door + 1 door	1400
1 door + 2 doors + 1 door	2700

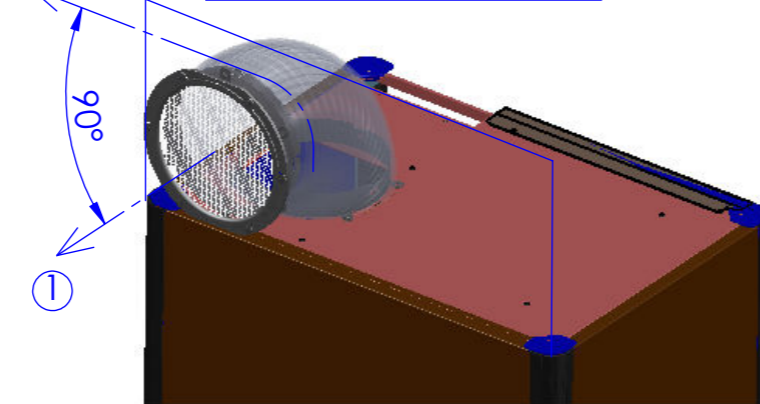
NOTICE : FOR THIS TYPE OF INSTALLATION , YOU HAVE TO RESPECT :

- THE MINIMUM HEIGHT UNDER THE CEILING HAS TO BE 2400 mm
- THE AIRSPACE INTAKE HAS TO BE 30mm MINIMUM ON THE WHOLE LENGTH
- FOR AESTHETIC REASON , THE OUTLET AIR HOLE CAN BE ON THE LEFT SIDE

WITHOUT THE AIR OUTLET KIT



WITH THE AIR OUTLET KIT



1	test de commentaire	04/01/2013	hen
Material:-			
Drawing number: E-31601	Article x	3D Number / Révision. E-28051/	Weight:g Volume: mm3 Scale 1:20
General Tolérances: -		SHOWCAVE 1P et 2 P VERSION ENCASTREE	
EuroCave®		Range :Vitrine 1P	Size A3 Sheet 1/1