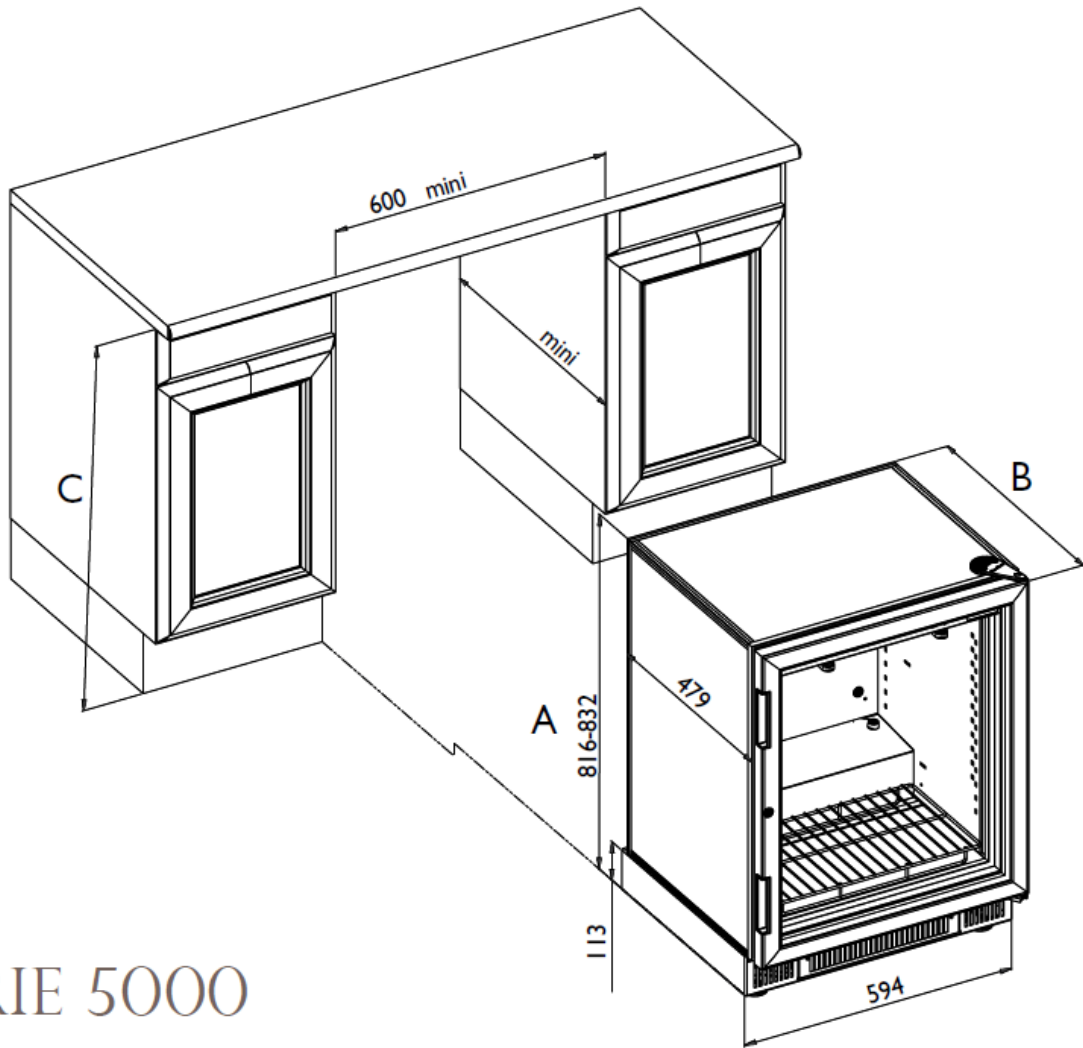


## SÉRIE 5000

Dimensions that must be complied with

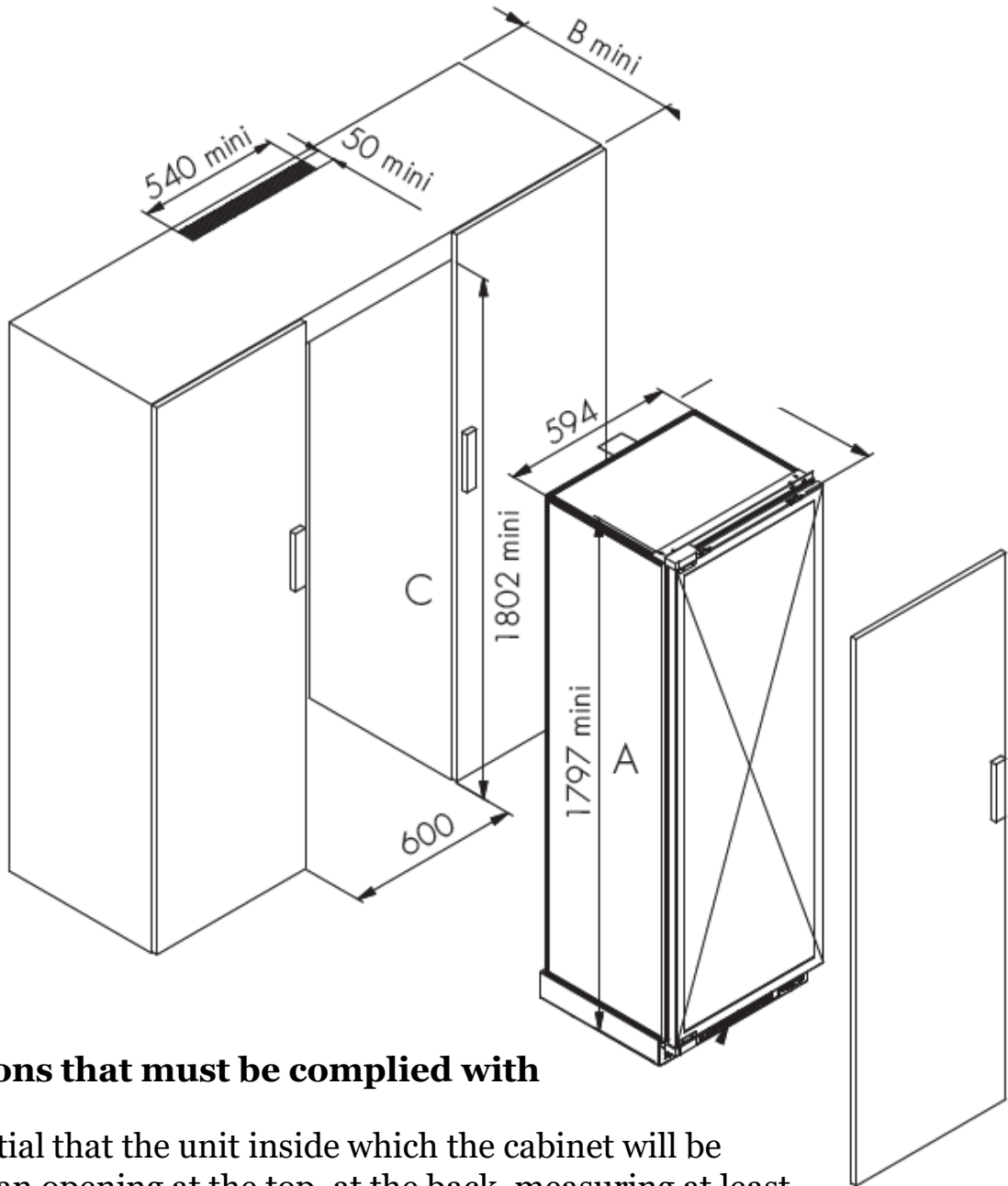
	A max.	A min.	A max. with riser*	A min. with riser*	B	C min.
059	832	816	875	859	549	821



## SÉRIE 5000

Dimensions that must be complied with

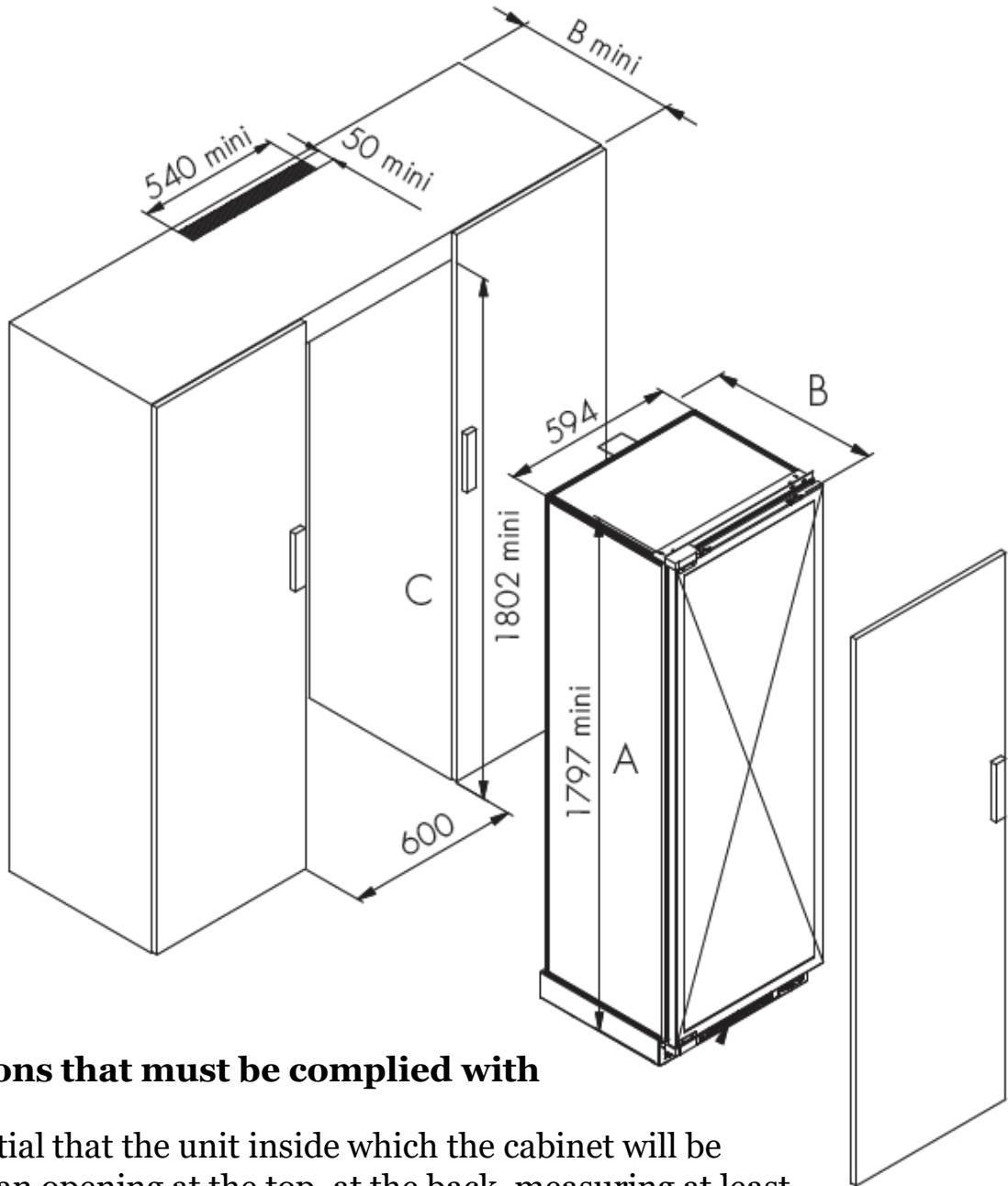
	A max.	A min.	A max. with riser*	A min. with riser*	B	C min.
059	832	816	875	859	549	821



## Dimensions that must be complied with

It is essential that the unit inside which the cabinet will be fitted has an opening at the top, at the back, measuring at least 540mm in length and 50mm in diagram).

	A max.	A min.	A max. <i>With riser</i>	A min. <i>With riser</i>	B	C min.
5059 Glass door	1792	1776	1835	1819	595	1781
5059 Full Glass Door	1792	1776	1835	1819	595	1781



## Dimensions that must be complied with

It is essential that the unit inside which the cabinet will be fitted has an opening at the top, at the back, measuring at least 540mm in length and 50mm in diagram).

	A max.	A min.	A max. <i>With riser</i>	A min. <i>With riser</i>	B	C min.
5059 Glass door	1792	1776	1835	1819	595	1781
5059 Full Glass Door	1792	1776	1835	1819	595	1781